

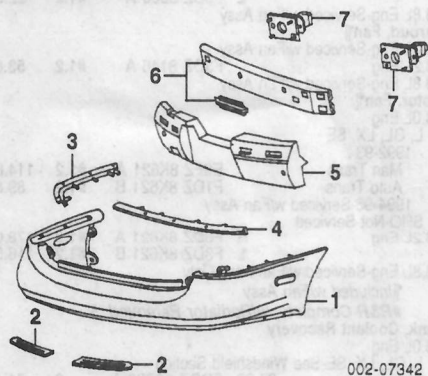
5 Isolator, Rear Bumper	Sable	F6DZ 17906 BB	#1.6	79.20
	Taurus			
	w/SHO Model	F6DZ 17906 DD	#1.8	96.02
	w/o SHO Model	F6DZ 17906 AA	#1.8	77.33
<i>#Includes R&R Rear Cover</i>				
6 Bumper, Rear	Sable	XF1Z 17906 AA	1.8	76.50
	Taurus	XF1Z 17906 AA	1.8	76.50
7 Absorber, Impact	R	F6DZ 17C897 AA	#.2	42.28
	L	F6DZ 17C897 AB	#.2	42.35
<i>#w/Bumper Assy Removed, Not Included in O/H Nameplate (Adhesive)</i>				
Sable	"G"	F6DZ 17E939 GA	#.2	6.40
"GS"		96-97 F6DZ 17E939 C	#.2	5.72
		98-99 F8DZ 17E939 CA	#.2	6.40
"LS"		96-97 F6DZ 17E939 D	#.2	5.72
		98-99 F8DZ 17E939 DA	#.2	6.40
"Mercury"		96-97 F6DZ 17E939 E	#.2	6.10
		98-99 F8DZ 17E939 EA	#.2	6.40
"Sable"		96-97 F6DZ 17E939 B	#.2	5.72
		98-99 F8DZ 17E939 AA	#.2	5.72
Taurus	"G"	F6DZ 17E939 KA	#.2	25.75
Ebony		F6DZ 17E939 FA	#.2	25.75
Graphite		F6DZ 17E939 AA	#.2	5.72
"GL"		96 F6DZ 17E939 AA	#.2	5.72
		97-99 F7DZ 17E939 AA	#.2	5.72
"LX"		96 F6DZ 17E939 BA	#.2	5.72
		97-99 F7DZ 17E939 BA	#.2	5.72
"SE"		98-99 F8DZ 17E939 BA	#.2	5.72
"SHO"				
Ebony Satin		F6DZ 17E939 CG	#.2	15.40
Medium Graphite		F6DZ 17E939 CB	#.2	15.40
Medium Willow		F6DZ 17E939 CC	#.2	15.40
Red Night Mist		F6DZ 17E939 CD	#.2	15.40
Silver Frost		F6DZ 17E939 CA	#.2	15.40
Toreador Red		F6DZ 17E939 CE	#.2	15.40
Pacific Green		97-99 F7DZ 17E939 HA	#.2	25.75
Vibrant White		97-99 F7DZ 17E939 JA	#.2	6.40
"Taurus"				
Chrome		F7DZ 17E939 EA	#.2	5.72
Ebony		F6DZ 17E939 JA	#.2	5.72
Graphite		F6DZ 17E939 HA	#.2	6.40

#Not Included in R&R Cover or O/H

WAGON

Refinish Rear Cover	2.8
R&I Rear Cover Assy	4.0
R&I Bumper Assy	#4.2
<i>#Includes R&I Cover Assy</i>	
O/H Bumper Assy (Includes R&I)	4.9

NOTE: All Parts in this section are included in overhaul unless noted otherwise.



1 Cover, Rear (P)	F8DZ 17K835 AA	4.5	N.A.
<i>(P) Paint to Match</i>			
2 Pad, Horizontal	R F6DZ 17K831 BA	#.2	8.28
	L F6DZ 17K832 BA	#.2	8.82
<i>#Included in R&R Rear Cover</i>			
3 Support, Rear Cover Side	R/L F6DZ 17D995 DA-DB		15.20
4 Support, Rear Cover Ctr	F6DZ 17D995 CC		22.37
5 Isolator, Rear Bumper	F6DZ 17906 CC	#4.7	71.77
<i>#Includes R&R Rear Cover</i>			
6 Bumper, Rear	F6DZ 17906 B	4.9	119.52
7 Absorber, Impact	R F6DZ 17C897 AA	#.2	42.28
	L F6DZ 17C897 AB	#.2	42.35

#w/Bumper Assy Removed, Not Included in O/H

TAURUS 1992-95

SECTION INDEX

A/C Refrigerant Capacities	175
ABS/Brakes	176
Air Bag System	176
Air Cleaner	180
Air Conditioning/Heater	175
Back Window	185
Center Console	181
Clear Coat Identification	173
Cooling	174
Cowl & Dash	181
Cruise Control System	177
Electrical	180
Emission System	180
Engine	179
Engine Oil Cooler	175
Engine/Trans Mounts	179
Exhaust	180
Front Bumper	173
Front Door	182
Front Drive Axle	178
Front Fender	175
Front Inner Structure	175
Front Lamps	174
Front Seat	182
Front Steering Linkage/Gear	178
Front Suspension	177
Fuel Tank	188
Hood	174
Information Labels	173
Instrument Panel	181
Luggage Lid	186
Paint Code Location	173
Quarter Glass	186
Quarter Panel	185
Rear Body	188
Rear Bumper	189
Rear Door	183
Rear Gate	186
Rear Lamps	188
Rear Seat	182
Rear Suspension	187
Rocker/Pillars/Floor	182
Roof	184
Seat Belts	182
Special Cautions	173
Steering Pump	178
Steering Wheel/Column	178
Sunroof	185
Underhood Dimensions	175
Wheel	177
Windshield	181

SPECIAL CAUTIONS

AIR BAG

Refer to Procedure Explanation 29 for Supplemental Restraint/Air Bag Special Cautions.

SEAT BELTS

Manufacturer recommends that all safety belts in use during a collision be inspected by a qualified technician and replaced if damaged or inoperable.

SUSPENSION

Manufacturer advises that new suspension fasteners must be used whenever old fasteners are loosened or removed.

WINDSHIELD REPLACEMENT

When replacing windshield, use manufacturer recommended urethane or equivalent. Ensure that manufacturer recommended installation is followed and urethane properly cured before returning vehicle to service.

PAINT CODE LOCATION

Paint code located on rear face of left front door or on left lock pillar.

CLEAR COAT IDENTIFICATION

1992-94

All metallics, Black UA and Red WH are clear coat.

1995

All colors are clear coat.

INFORMATION LABELS

Labels must be special ordered from dealer by vehicle name, serial number and application.

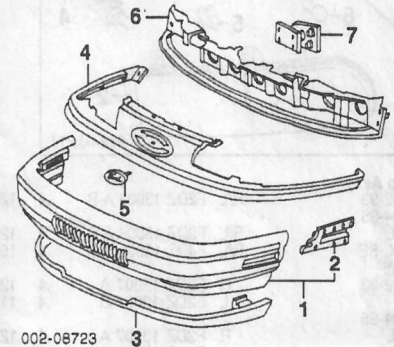
FRONT BUMPER

Use Procedure Explanations 1 and 28 with the following text.

L, GL, LX, SE MODEL

Refinish Front Cover & Valance Panel	2.9
Refinish Front Cover	2.4
Refinish Valance Panel	1.0
Refinish Stone Deflector	1.3
R&I Bumper Assy	.5
O/H Bumper Assy (Includes R&I)	1.0
Add to O/H Bumper Assy w/Cornering Lamps	.2

NOTE: All Parts in this section are included in overhaul unless noted otherwise.



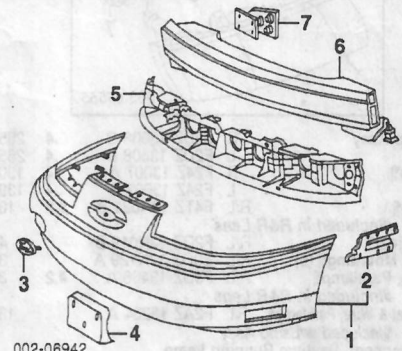
1 Cover Assy, Front (P)	F2DZ 17757 E	1.2	535.02
w/Cornering Lamps	F2DZ 17757 D	1.0	288.20
<i>(P) Paint to Match</i>			
2 Bracket, Guide	R F2DZ 17C972 A	IOH	25.00
	L F2DZ 17C973 A	IOH	33.33
<i>#Included w/Front Cover Assy</i>			
3 Panel, Valance	F2DZ 17626 A	.4	131.30
Mtg Kit, License	E8GY 17A386 B		11.15
4 Deflector, Stone (P)	F2DZ 17779 A	#.9	149.83
<i>(P) Paint to Match</i>			
<i>#Includes R&I Bumper Assy & R&I/R&R Emblem, Included in R&R Opening Panel Reinforcement, Not Included in O/H</i>			
5 Emblem, Deflector	E8DZ 8A223 A	#.2	11.05
<i>#Included w/Stone Deflector</i>			
<i>#Not Included in O/H</i>			
6 Reinf, Opg Panel	F4DZ 8A284 A	#2.0	133.90
<i>#Includes R&I Bumper Assy, R&I/R&R Side Marker Lamps, Headlamps, Emblem & Stone Deflector, Not Included in O/H</i>			
7 Absorber, Impact	R/L F2DZ 17754-5 A	#.2	119.53
<i>#w/Bumper Assy Removed, Not Included in O/H</i>			
Mounting Kit, Hardware	F2DZ 17C756 A		22.36

SHO

Use Procedure Explanations 2 and 28 with the following text.

Refinish Front Cover	3.1
R&I Bumper Assy	1.2
R&I Bumper Cover Only	.8
O/H Bumper Assy (Includes R&I)	2.0

NOTE: All Parts in this section are included in overhaul unless noted otherwise.



1 Cover Assy, Front (P)	F3DZ 17D957 A	1.5	511.88
<i>(P) Paint to Match</i>			
2 Bracket, Guide	R F2DZ 17C972 A	IOH	25.00
	L F2DZ 17C973 A	IOH	33.33
<i>#Included w/Front Cover Assy</i>			
3 Emblem	F2DZ 8A223 A	.2	13.05
4 Bracket, License	F2DZ 17A385 A	.2	45.90
<i>#Order by Application</i>			

FRONT BUMPER Cont'd

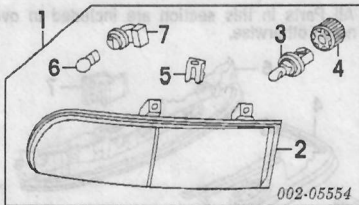
SHO Cont'd

5 Reinf, Opening Panel	F34Y 8A284 A	#2.3	182.00
#Includes R&I Bumper Cover, R&I/R&R Headlamps & Cornering/Side Marker Lamps, Not Included in O/H			
6 Face Bar	F2DZ 17757 A	2.0	449.21
7 Absorber, Impact	R/L F2DZ 17754-5 A	#2	119.53
#w/Bumper Assy Removed, Not Included in O/H			
Mounting Kit, Hardware	F2DZ 17C756 A	IOH	22.36

FRONT LAMPS

HEADLAMP L, GL, LX, SE MODEL

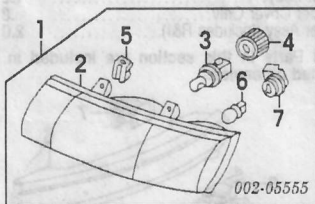
R&R Does Not Include Aim Lamps..... .4



1 Lamp Assy	R/L F2DZ 13008 A-B	.4	122.20
1992-93			
1994-95			
GL	R/L F2DZ 13008 A-B	.4	122.20
LX, SE	R/L F2DZ 13008 A-B	.4	150.00
2 Lens¶			
1992-93			
R	F2DZ 13007 A	.4	127.62
L	F2DZ 13007 B	.4	119.48
1994-95			
GL	R F2DZ 13007 A	.4	127.62
L	F2DZ 13007 B	.4	119.48
LX, SE	R F4DZ 13007 A	.4	142.20
L	F4DZ 13007 B	.4	148.85
3 Bulb¶	R/L F4TZ 13N021 B	#2	10.47
#Included in R&R Lens			
4 Retainer, Bulb¶			
1992-93			
1994-95			
GL	R/L F2DZ 13N019 A	4.02	
LX, SE	R/L F2DZ 13N019 A	4.02	
R/L F4DZ 13N019 A		4.42	
5 Clip, Mounting¶ (6)	R/L E9DZ 13N129 A	3.80	
1992-93			
1994-95			
GL	R/L E9DZ 13N129 A	3.80	
LX, SE	R/L F4DZ 13N129 A	1.98	
R/L F5AZ 13466 A		#2	3.61
R/L F5DZ 13466 A		#2	3.61
#Included in R&R Lens			
6 Bulb, Parklamp¶	92-93 R/L F5AZ 13466 A	#2	3.61
94-95 R/L F5DZ 13466 A		#2	3.61
#Included in R&R Lens			
7 Socket & Wire, Parklamp¶	R/L F2AZ 13234 A	13.79	
#Included w/Lamp Assy			
Component, Daytime Running Lamp			
Canada			
Module	N.A.	#3	N.A.
Bracket	N.A.	#3	N.A.
#R&R Complete			

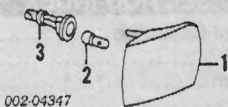
HEADLAMP SHO

R&R Does Not Include Aim Lamps..... .4



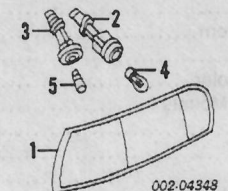
1 Lamp Assy	R F2DZ 13008 C	.4	265.76
L F2DZ 13008 D		.4	265.78
2 Lens¶	R F24Z 13007 A	.4	130.48
L F24Z 13007 B		.4	139.29
3 Bulb¶	R/L F4TZ 13N021 B	#2	10.47
#Included in R&R Lens			
4 Retainer¶	R/L F2DZ 13N019 B	4.02	
5 Clip, Mounting¶ (6)	R/L E9DZ 13N129 A	3.80	
6 Bulb, Parklamp¶	R/L F5DZ 13466 A	#2	3.61
#Included in R&R Lens			
7 Socket & Wire, Parklamp¶	R/L F2AZ 13234 A	13.79	
#Included w/Lamp Assy			
Component, Daytime Running Lamp			
Canada			
Module	F43Z 15A272 A	#3	55.77
Bracket	FOFZ 13B214 A	#3	27.22
#R&R Complete			

SIDE MARKER LAMP L, GL, LX, SE MODEL



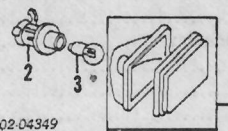
1 Lamp Assy	R/L F2DZ 15A201 E-F	#2	46.80
#Included in R&I/R&R Fender			
2 Bulb	R/L E35Y 13466 B	#2	1.94
#Included in R&R Lamp Assy			
3 Socket & Wire	R/L E25Y 13410 B		21.65

CORNERING/SIDE MARKER LAMP SHO



1 Lamp	R/L F2DZ 15A201 C-D	#2	41.73
#Included in R&R & O/H Front Cover			
2 Cornering	R/L N.A.		N.A.
3 Side Marker	R/L E25Y 13410 B		21.65
4 Cornering	R/L F5DZ 13466 B	#2	3.13
5 Side Marker	R/L E35Y 13466 B	#2	1.94
#R&R Complete One Side, Included in R&R Lamp Assy			

CORNERING LAMP L, GL, LX, SE MODEL



1 Lamp	R/L F2DZ 15A201 A-B	#3	46.80
#Included in R&R Front Cover			
2 Socket & Wire	R/L E25Y 13410 B		21.65
3 Bulb	R/L F5DZ 13466 B	#2	3.13
#Included in R&R Lamp Assy			

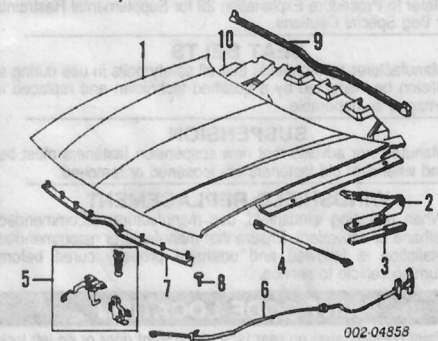
FOG LAMP

Lamp	To 4-94 R/L F2DZ 15200 A	#3	52.38
From 4-94 R/L F4DZ 15200 A		#3	61.35
Bracket, Lamp	R/L F2DZ 15266 A-B	#3	90.10
#R&R One Side Complete			
Bulb	R/L F2DZ 13466 C	#2	20.00
#Included in R&R Lamp Assy			

HOOD

Use Procedure Explanations 4 and 28 with the following text.

Refinish Hood Outside	3.0
Add for Underside	1.2
Refinish Hinge	R/L .2
R&I Hood Assy	.6

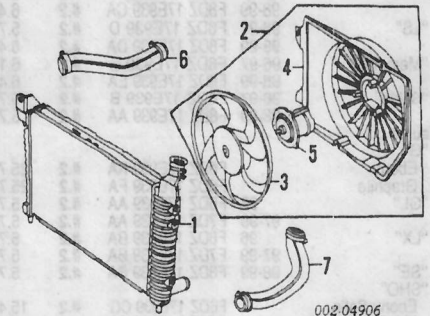


1 Panel, Hood	L, GL, LX, SE F2DZ 16612 A	1.2	424.40
SHO F2DZ 16612 B		1.2	767.28
2 Hinge	R/L E8DZ 16796-7 A	#2	22.05
#w/Hood Removed			
3 Seal, Hinge Splash	R/L E6DZ 16C902 A		7.80
4 Lift, Hydraulic	R/L F2DZ 16C826 B		33.58
5 Latch	92-93 F2DZ 16700 A	.3	19.08
94-95 F4DZ 16700 A		.3	20.67

6 Cable, Hood Release	F2DZ 16916 A	.9	28.48
7 Seal, Radiator Supt	E6DZ 16A238 A	.2	29.92
8 Bumper, Hood	R/L F49Z 16758 A	.1	5.00
9 Pad, Hood	F4DZ 16740 A	.2	21.53
10 Insulator, Hood			
L, GL, LX, SE	F2DZ 16738 A	.3	48.25
SHO	F2DZ 16738 B	.3	100.48
Retainer, Insulator			
Clip	385595 S		.50
Pin	386553 S		.78

COOLING

Use Procedure Explanations 5 and 28 with the following text.



1 Radiator	3.0L Eng		
L, GL, LX, SE			
1992	E7DZ 8005 C	1.1	272.37
1993			
w/o Calif Emissions	E7DZ 8005 C	1.1	272.37
w/Calif Emissions	E7DZ 8005 C	1.1	272.37
1994-95	E7DZ 8005 C	1.1	272.37
SHO	E7DZ 8005 C	1.2	272.37
3.2L Eng	F3DZ 8005 A	1.2	275.00
3.8L Eng	E7DZ 8005 C	1.1	272.37
Cap, Radiator	E9DZ 8100 A		6.20
2 Fan Assy			
3.0L Eng			
L, GL, LX, SE			
92-93	F1DZ 8C607 D	.7	168.07
94-95	F4DZ 8C607 B	.7	249.07
SHO			
92-93	F0DZ 8C607 C	.7	249.07
94-95	F4DZ 8C607 A	.7	268.73
	F3DZ 8C607 A	.7	557.27
	F4DZ 8C607 C	.7	249.07
3.2L Eng			
3.8L Eng			
3 Blade, Fan¶			
3.0L Eng-Serviced w/Fan Assy			
3.2L Eng	R F3DZ 8600 B	#1.2	57.17
	L F3DZ 8600 A	#1.2	22.32
3.8L Eng-Serviced w/Fan Assy			
4 Shroud, Fan¶			
3.0L Eng-Serviced w/Fan Assy			
3.2L Eng	F3DZ 8146 A	#1.2	53.82
3.8L Eng-Serviced w/Fan Assy			
5 Motor, Fan¶			
3.0L Eng			
L, GL, LX, SE			
1992-93			
Man Trans	E8FZ 8K621 A	#1.2	114.64
Auto Trans	F1DZ 8K621 B	#1.2	89.84
1994-95-Serviced w/Fan Assy			
SHO-Not Serviced			
3.2L Eng	R F3DZ 8K621 A	#1.2	178.07
L F3DZ 8K621 B		#1.2	116.53
3.8L Eng-Serviced w/Fan Assy Only			
#Included w/Fan Assy			
#R&R Complete, w/Radiator Removed .5			
Tank, Coolant Recovery			
3.0L Eng			
L, GL, LX, SE-See Windshield Section			
SHO	92-93 F0DZ 8A080 A	.3	71.43
	94-95 F4DZ 8A080 A	.3	25.54
3.2L Eng	F3DZ 8A080 B	.3	66.75
3.8L Eng-See Windshield Section			
6 Hose, Rad Upper			
3.0L Eng			
L, GL, LX, SE			
92	F1DZ 8260 C	#5	15.60
93-95	F3DZ 8260 A	#5	19.31
SHO	F5DZ 8260 FA	#5	27.60
3.2L Eng	F5DZ 8260 EA	#5	27.73
3.8L Eng	E9DZ 8260 J	#5	18.73
7 Hose, Rad Lower			
3.0L Eng			
L, GL, LX, SE			
92	F1DZ 8286 C	#6	13.16
93-95	F3DZ 8286 B	#6	23.47
SHO	F5DZ 8286 FA	#6	25.11
3.2L Eng	F5DZ 8286 EA	#6	23.18
3.8L Eng	F1DZ 8286 B	#6	14.96
#R&R Both Upper & Lower .9			
Tube, Hose/Eng			
3.8L Eng	F1DZ 8290 B	m	25.81
Pump, Water			
3.0L Eng			
L, GL, LX, SE			
92-94	F4PZ 8501 A	m	2.1
95	F8DZ 8501 AA	m	2.1
	F0DZ 8501 A	m	3.5
SHO	F3DZ 8501 A	m	3.5
3.2L Eng	F3DZ 8501 A	m	3.5
3.8L Eng	E8DZ 8501 B	m	2.8
94-95	F4DZ 8501 A	m	2.8

Pulley, Water Pump				
3.0L Eng				
L, GL, LX, SE	92	E7DZ 8509 A	m #1.8	66.47
	93-95	F3DZ 8509 B	m #1.8	53.55
SHO		E9DZ 8509 A	m #.6	56.82
3.2L Eng		F3DZ 8509 A	m #.6	54.66
3.8L Eng		E8DZ 8509 A	m #.8	22.84
#Included in R&R Water Pump				
Belt, Drive				
3.0L Eng				
L, GL, LX, SE				
w/ A/C	92	F4TZ 8620 N	.8	46.84
	93-95	F7PZ 8620 AB	.8	46.16
w/o A/C	92	E8DZ 8620 H	.8	28.18
	93-95	F7PZ 8620 BA	.8	46.84
SHO		E9DZ 8620 D	.8	47.18
3.2L Eng		F3DZ 8620 A	.8	72.71
3.8L Eng	92-93	F4DZ 8620 A	.8	21.76
	94-95	F4DZ 8620 A	.8	21.76

ENGINE OIL COOLER				
ENGINE/TRANS				
Cooler, Eng Oil	F2DZ 6B856 A	m	.7	379.80
Cooler, Trans Oil				
L, GL, LX, SE	92-93	E6DZ 7A095 A	m	.6
	94-95	F4DZ 7A095 A	m	.6
SHO	92	E6DZ 7A095 A	m	.6
	93-95	F3DZ 7A095 A	m	.6

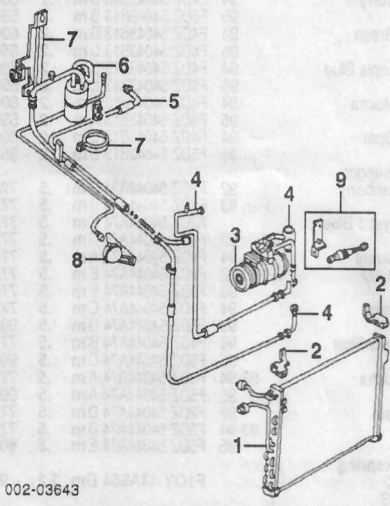
A/C REFRIGERANT CAPACITIES				
A/C R-12 Refrigerant Capacity				
1992-93: 32-33 Ozs (2.0-2.06 Lbs)				
A/C R-134a Refrigerant Capacity				
1992-95: 32 Ozs (2.0 Lbs)				

AIR CONDITIONING/HEATER

Use Procedure Explanation 6 with the following text.

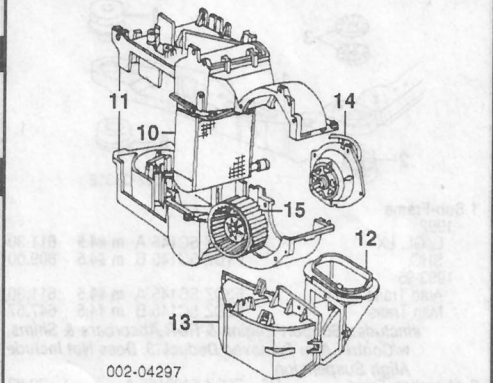
Evacuate & Recharge System	m	1.4
Refrigerant Recovery	m	.3

NOTE: R&I/R&R Does Not include recover, evacuate and recharge system.



1 Condenser	F4DZ 19712 BB	m	#1.8	215.04
<i>Order by Application</i>				
<i>#Includes R&I/R&R Radiator Fan Assy, w/Radiator</i>				
<i>Removed Deduct 1.1</i>				
Bracket, Condenser Mounting				
2 Upper	R F1DZ 19702 A	m		11.92
	L F1DZ 19702 B	m		10.02
Lower	F1DZ 19735 A	m		12.50
3 Compressor				
3.0L Eng				
R-12 System				
L, GL, LX, SE	F77Z 19703 AB	m	#2.8	330.44
SHO	F1DZ 19703 A	m	#2.3	371.44
3.2L Eng	F1DZ 19703 A	m	#2.3	371.44
3.8L Eng	F77Z 19703 AB	m	#2.8	330.44
Clutch, Drive				
3.0L Eng				
L, GL, LX, SE	F2CZ 19D786 Am	#2.8		52.48
SHO	E43Z 19D786 Am	#2.8		39.36
3.2L Eng	E43Z 19D786 Am	#2.5		39.36
3.8L Eng	F2OY 19D786 Am	#2.5		25.38
#Includes R&R Pulley				
Pulley, Compressor				
3.0L Eng				
L, GL, LX, SE	F2OY 19D784 Am	#2.8		73.66
SHO	E43Z 19D784 Am	#2.8		73.22
3.2L Eng	E43Z 19D784 Am	#2.5		73.22
3.8L Eng	F2OY 19D784 Am	#2.5		73.66
Belt, Drive-See Cooling Section				
4 Tube & Manifold Assy				
R-12 System	92-93	F3OY 19D734 Am	#1.5	162.82
	94-95	F4DZ 19D734 Bm	#1.5	237.42

R-134a System	92-93	F3DZ 19D734 Cm	#1.5	240.96
	94-95	F4DZ 19D734 Am	#1.5	161.48
#w/SHO Deduct .9				
5 Tube, Drier/Evap				
L, GL, LX, SE				
w/Flex Fuel		F3DZ 19835 BFFV m	.6	37.16
w/o Flex Fuel		F3DZ 19835 DAM	.6	37.68
SHO				
3.0L Eng		E9DZ 19835 A m	.6	44.68
3.2L Eng		F3DZ 19835 DAM	.6	37.68
6 Tube & Drier Assy				
R-12 System				
L, GL, LX		F2OY 19C836 Am	1.0	138.22
SHO		E9DZ 19C836 Cm	1.9	159.58
R-134a System				
L, GL, LX, SE	92-93	F3DZ 19C836 Am	1.9	193.12
	94-95	F4DZ 19C836 Am	1.9	120.28
SHO				
3.0L Eng		F4DZ 19C836 Bm	1.9	154.82
3.2L Eng	93	F3DZ 19C836 Bm	1.9	138.22
	94-95	F4DZ 19C836 Cm	1.9	111.96
7 Bracket, Drier				
L, GL, LX, SE		E6DZ 19D606 Bm	#1	56.80
SHO	92-93	E9DZ 19D606 Am	#1	24.43
	94-95	F4DZ 19D606 Am	#1	19.68
#w/Tube & Drier Assy Removed				
8 Tank, Vacuum Reservoir		E9DZ 19A566 Am	.3	13.65
9 Sensor & Bracket Assy		F3VY 12A647 Am	.6	14.24



10 Core, Evaporator				
R-12 System		E9DZ 19860 A	m #6.3	d226.23
R-134a System		F3DZ 19860 A	m #6.3	d207.21
11 Case, Evaporator				
R-12 System				
w/Auto Temp Control	92	F4DZ 19850 A	m #6.3	449.92
	93-95	F4DZ 19850 A	m #6.3	449.92
w/o Auto Temp Control	92	F4DZ 19850 B	m #6.3	313.23
	93-95	F4DZ 19850 B	m #6.3	313.23
R-134a System				
w/Auto Temp Control		F4DZ 19850 A	m #6.3	449.92
w/o Auto Temp Control		F4DZ 19850 B	m #6.3	313.23
#R&R Complete				
12 Duct, Air Inlet				
Heater		E6DZ 19A618 Bm		34.25
A/C		E6DZ 19A618 Am		158.92
		F2DZ 19C590 Bm		134.65
13 Duct, Air Recirculating				
14 Motor, Blower				
w/Auto Temp Control		F4DZ 19805 CAM	#1.2	93.44
w/o Auto Temp Control		F4DZ 19805 CAM	#1.0	93.44
15 Fan, Blower				
w/Auto Temp Control		E8DZ 19834 A	m #1.2	12.18
w/o Auto Temp Control		E8DZ 19834 A	m #1.0	12.18
#R&R Complete				
Core, Heater				
	92-94	E9DZ 18476 A	m #3.6	61.11
	95	F8OZ 18476 AAm	#3.6	65.91
#w/ A/C Add 2.1				

FRONT FENDER

Use Procedure Explanations 7 and 28 with the following text.

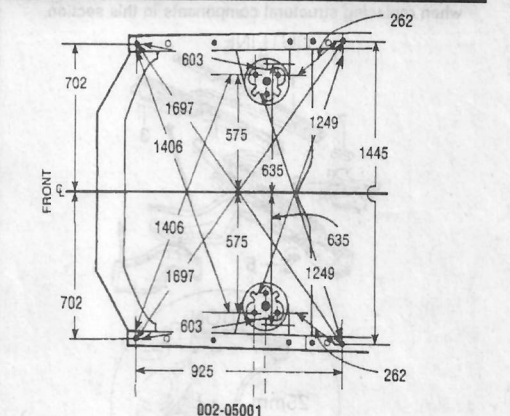
SHEET METAL				
Refinish Fender Outside	R/L			2.4
Add to Edge Fender	R/L			.5
R&I Fender				
L, GL, LX, SE	R/L			#2.4
SHO	R/L			#2.8
#Includes R&I Bumper & Rocker Moulding				
Add to R&R Fender				
To Drill for Installation of				
Moulding	R/L			.2
w/Antenna				.3
<i>Illustration Located in Next Column</i>				
1 Fender				
L, GL, LX, SE	R	F2DZ 16005 A	#2.7	175.00
	L	F2DZ 16006 A	#2.7	175.00
SHO	R*	F34Y 16005 A	#3.1	194.00
	L*	F34Y 16006 A	#3.1	194.00
#Includes R&I Bumper & Rocker Moulding				

Antenna, Power				
		F2DZ 18850 A	#1.1	109.22
Antenna, Manual				
		FODZ 18813 A	#1.0	33.80
#Includes R&R Splash Shield				
Mast, Antenna				
Manual				
Bright Finish		D3AZ 18A886 A	.2	8.09
Spiral		F2DZ 18A886 BA	.2	19.59
Power		F3AZ 18A886 A	.4	40.22
2 Shield, Splash	R/L	F2DZ 16102-3 A	.6	53.41
3 Absorber, Sound	R	E6DZ 16071 B		24.67
	L	E8DZ 16072 A		18.53

EXTERIOR TRIM

Refinish Side Moulding	R/L			.3
Refinish Lower Moulding	R/L			.3
R&I Side Moulding				
Clip Type	R/L			.2
1 Moulding, Side (P)				
Adhesive Type				
L, GL, SE	R/L	F5DZ 16003-4 PTM	.2	38.07
2 Moulding, Lower (P)				
Clip Type				
LX	92-93 R	F5DZ 16A038 PTMC	.2	28.82
	L	F5DZ 16A039 PTMC	.2	28.82
	94-95 R	F5DZ 16A038 PTMD	.2	28.82
	L	F5DZ 16A039 PTMD	.2	25.63
	R	F5DZ 16A038 PTMD	.2	28.82
	L	F5DZ 16A039 PTMD	.2	25.63
SHO				
(P) Paint to Match				
Emblem (Adhesive)				
"24 Valve DOHC"	R/L	F2DZ 16098 AAA	.2	32.40

UNDERHOOD DIMENSIONS



FRONT INNER STRUCTURE

Use Procedure Explanations 8 and 28 with the following text.

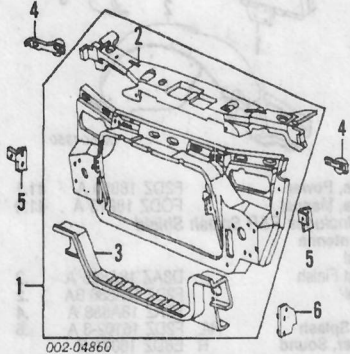
FRONT				
Refinish Radiator Support Assy				1.5
Refinish Upper Tie Bar				.5
Refinish Lower Tie Bar				.5
Add to R&R Radiator Support Assy				
To R&R Base Model Mechanical Components	m			#.3
#Includes R&R Vapor Canister, Air Bag Sensor & Relay Controller Assy				

TAURUS 1992-95

FRONT INNER STRUCTURE Cont'd

FRONT Cont'd

w/ A/C	m	#.4
#Includes R&R Condenser & Sensor		
Evacuate & Recharge System	m	1.4
Refrigerant Recovery	m	.3



1 Support Assy, Radiator	FODZ 16138 A s #7.3	213.65
#Includes R&R Hood Latch Assy, Coolant/Washer Reservoir, Splash Shield, Sight Shield, Air Deflector Seal, Radiator & Fan Assy, Impact Absorbers, Battery Tray & Disconnect & Reconnect Wiring Harness & Latch Cable		
2 Tie Bar, Upper	F2DZ 16139 A s #2.5	65.88
#w/Necessary Bolted Parts & Assemblies Removed		
3 Tie Bar, Lower	E9DZ 16139 B s	120.35
#Included w/Radiator Support Assy		
4 Bracket, Upper Support	R E9DZ 8A193 A	16.03
	L E8DZ 8A193 A	16.98
Bracket, Support		
Upper	R/L F2DZ 8B455 D	3.86
5 Side	R/L F2DZ 8B455 A-B	6.53
6 Shield, Splash	L FODZ 8A268 A	.2 18.08
Sensor, Air Bag-See Air Bag System Section		

SIDE

Refinish Upper & Lower Apron Complete	R/L	2.0
Refinish Upper Apron	R/L	.5
Refinish Lower Apron	R/L	1.5
Refinish Repair Panel	R/L	.5
Refinish Outer Sidemember	R/L	1.0
Section Upper Apron	R/L	#1.5
Section Upper Apron Reinf	R/L	#1.5

#Section at Front of Shock Tower as Shown in Illustration

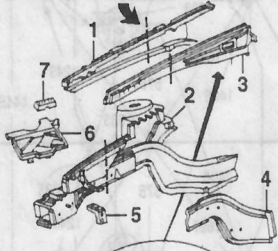
Section Sidemember
Outer & Inner R/L #5.2
Section Lower Apron Assy R/L #8.5

#Section at Front of Shock Tower as Shown in Illustration, w/Radiator Supt Removed Deduct .5

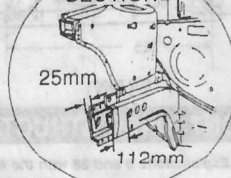
NOTE 1: For sectioning methods, refer to Manufacturer's Body Repair Manual. TECH-COR also provides sectioning information on outer sidemembers. Refer to Information Bulletin #06-90. See disclaimer on page P3 concerning labor times.

NOTE 2: Manufacturer recommends four wheel alignment when replacing structural components in this section.

CUTLINE



SECTION



002-06943

1 Apron, Upper	R/L E80Y 16054-5 Bs #1.5	72.97
#May be Sectioned at Front of Shock Tower, Section & Cut Line in Illustration Indicate Sectioning, Refer to Headnote		
2 Apron Assy, Lower	R/L F1DZ 16054-5 As #8.5	341.12
#May be Sectioned at Front of Shock Tower, Includes R&R Upper Apron, Apron Reinforcement & Outer Rear Member, w/Radiator Support Removed Deduct 1.5		

Panel, Repair	R/L FODZ 16054-5 Bs	2.5	166.67
Sidemember, Outer	R F1DZ 5410218 As #6.5	181.72	
	L F1DZ 5410219 As #6.5	201.84	

#May be Sectioned at Front of Shock Tower, Includes R&R Outer Rear Member, w/Radiator Support or Repair Panel Removed Deduct 1.0, Section in Illustration Indicate Sectioning, Refer to Headnote

Sidemember, Inner	R F1DZ 5410008 As	198.04
	L F1DZ 5410009 As	207.93

#Included w/Lower Apron Assy

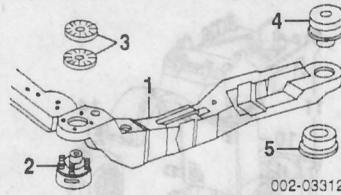
3 Reinforcement, Apron	R E6DZ 16154 A s #1.5	79.20
	L E6DZ 16155 A s #1.5	77.67

#May be Sectioned & Sleeved at Front of Shock Tower, Section & Cut Line in Illustration Indicate Sectioning, Refer to Headnote

4 Member, Outer Rear	R F1DZ 54108A24 As	2.0	92.80
	L F1DZ 54108A25 As	2.0	79.04
5 Bracket, Fender/Apron	R/L E6DZ 16C076 A		5.43
6 Tray, Battery-See Electrical Section			
7 Clamp, Hold Down-See Electrical Section			
Sensor, Air Bag-See Air Bag System Section			

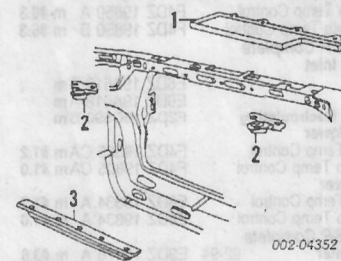
SUB-FRAME

NOTE: New suspension fasteners must be used whenever old fasteners are loosened or removed.



1 Sub-Frame			
1992			
L, GL, LX	F3DZ 5C145 A m #4.5	611.30	
SHO	F1DZ 5C145 B m #4.5	809.00	
1993-95			
Auto Trans	F3DZ 5C145 A m #4.5	611.30	
Man Trans	F3DZ 5C145 B m #4.5	647.57	
#Includes Support Engine & R&R Absorbers & Shims, w/Control Arm Removed Deduct .3, Does Not Include Align Suspension			
2 Absorber, Front	R/L F6DZ 5400155 A	20.83	
3 Shim			
Upper	R/L E9DZ 5400145 A	3.18	
Lower	R/L E9DZ 5400145 B	3.31	
Absorber, Rear			
4 Upper	R/L F1DZ 5400396 A	22.52	
5 Lower	R/L F3DZ 5400155 A	12.25	
Bolt, Mounting	R/L N804442 S101	2.68	

FRONT COMPONENTS



1 Shield, Sight		
1992	F2DZ 8C291 AA	.2 25.23
1993		
w/3.2L Eng	F3DZ 8C291 A	.2 37.82
w/o 3.2L Eng	F2DZ 8C291 AA	.2 25.23
1994-95		
L, GL, LX, SE	F4DZ 8C291 A	.2 17.82
SHO	F4DZ 8C291 B	.2 39.68
Deflector, Condenser Air	E7DZ 19A672 A	5.60
2 Bracket, Uptr Support		
See Front Inner Structure Section		
3 Seal, Air Deflector		
L, GL, LX, SE	F2DZ 8349 A	.2 17.77
SHO	F2DZ 8349 B	.2 20.63

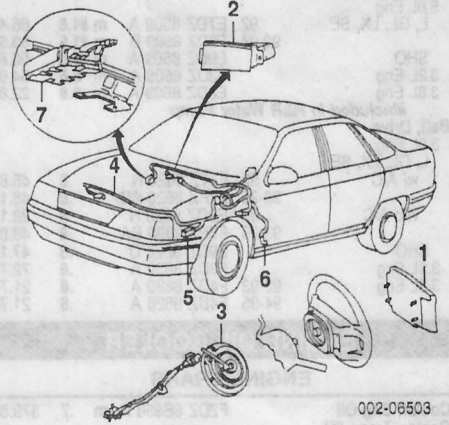
AIR BAG SYSTEM

Disable & Enable Air Bag System	m	.3
Diagnose Air Bag System (if required)	m	.5

NOTE 1: R&R Does Not include disable and enable or diagnose Air Bag System.

NOTE 2: Refer to Procedure Explanation 30 for Supplemental Restraint/Air Bag System Component Inspection and Replacement information.

Illustration Located in Next Column



002-06503

Module, Air Bag

1 Driver			
1992			
Cranberry	F2DZ 54043B13 B m	.2	600.00
Crystal Blue	F2DZ 54043B13 C m	.2	600.00
Ebony	F2DZ 54043B13 E m	.2	600.00
Mocha	F2DZ 54043B13 A m	.2	600.00
Opal	F2DZ 54043B13 D m	.2	600.00
1993			
w/SHO			
Ebony	F3DZ 54043B13 C m	.2	600.00
Mocha	F3DZ 54043B13 A m	.2	600.00
Opal	F3DZ 54043B13 B m	.2	600.00
w/o SHO			
Cranberry	F3DZ 54043B13 E m	.2	600.00
Crystal Blue	F3DZ 54043B13 F m	.2	600.00
Ebony	F3DZ 54043B13 H m	.2	600.00
Mocha	F3DZ 54043B13 D m	.2	600.00
Opal	F3DZ 54043B13 G m	.2	600.00
1994-95			
Current	94 F4DZ 54043B13 B m	.2	600.00
	95 F6DZ 54043B13 B m	.2	550.00
Green	94 F4DZ 54043B13 D m	.2	600.00
	95 F6DZ 54043B13 D m	.2	550.00
Lapis Blue	94 F4DZ 54043B13 C m	.2	600.00
	95 F6DZ 54043B13 C m	.2	550.00
Mocha	94 F4DZ 54043B13 A m	.2	600.00
	95 F6DZ 54043B13 A m	.2	550.00
Opal	94 F4DZ 54043B13 E m	.2	600.00
	95 F6DZ 54043B13 E m	.2	550.00
2 Passenger			
Cranberry	92 F2DZ 54044A74 B m	.5	772.61
	93 F3DZ 54044A74 B m	.5	772.61
Crystal Blue	F2DZ 54044A74 C m	.5	772.61
	F3DZ 54044A74 C m	.5	772.61
Current	94 F4DZ 54044A74 A m	.5	772.61
Ebony	92 F2DZ 54044A74 E m	.5	772.61
	93 F3DZ 54044A74 E m	.5	772.61
Green	94 F4DZ 54044A74 C m	.5	772.61
	95 F6DZ 54044A74 D m	.5	907.78
Lapis Blue	94 F4DZ 54044A74 B m	.5	772.61
	95 F6DZ 54044A74 C m	.5	907.78
Mocha	93-94 F3DZ 54044A74 A m	.5	772.61
	95 F6DZ 54044A74 A m	.5	907.78
Opal	92 F2DZ 54044A74 D m	.5	772.61
	93-94 F3DZ 54044A74 D m	.5	772.61
	95 F6DZ 54044A74 E m	.5	907.78
3 Clockspring			
1992	F10Y 14A664 Dm	1.2	95.38
1993			
Atlanta Built	F4DZ 14A664 A m	1.2	99.02
Chicago Built	F4DZ 14A664 B m	1.2	99.02
1994-95			
Atlanta Built	F4DZ 14A664 A m	1.2	99.02
Chicago Built	F4DZ 14A664 B m	1.2	99.02
Sensor, Air Bag Front			
4 Center	92-94 F2DZ 14B006 A m	#.5	80.56
	95 F5DZ 14B006 A m	#.5	94.13
5 Side	92-94 F2DZ 14B004 A m	#.5	83.66
	95 F5DZ 14B004 A m	#.5	89.86
6 Sensor, Air Bag Rear	92-94 F2DZ 14B007 A m	#.5	77.99
	95 F5DZ 14B007 A m	#.5	81.27
#Time is to R&R One, Each Additional .2			
7 Computer, Air Bag	92 F2DZ 14B056 A m	.5	174.27
	93-95 F3DZ 14B056 A m	.5	174.27

ABS/BRAKES

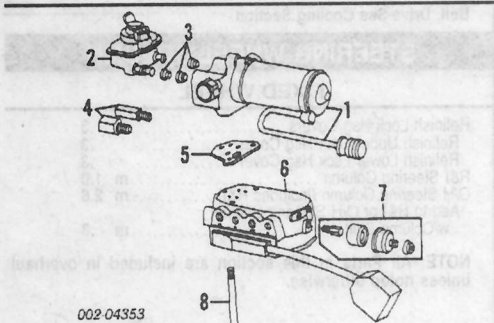
Bleed System	m	.6
--------------	---	----

NOTE: R&R Does Not include bleed system.

Illustration Located in Next Column

1 Pump, ABS	F2DZ 2C256 A m	2.2	373.46
2 Reservoir, Pump	F2DZ 2C246 A m	1.5	51.18

#Order by Application



002-04353

3 Seal Kit, Pump	FODZ 2L074 A	m	2.19
4 Insert, Booster			
10mm	FODZ 2C306 A	m	12.30
12mm	FODZ 2C306 B	m	11.30
5 Gasket, Pump	F3LY 2C254 A	m	12.59
6 Valve, Pressure Cont	92-93 F2DZ 2C266 A	m	2.2 769.39
	94-95 F4DZ 2C266 A	m	2.2 728.82
7 Insulator Kit (3)	FODZ 2C229 A	m	29.78
8 Bolt, Mounting (3)	F3LY 2C329 A	m	3.12
Relay, Antilock	F1DZ 2C013 A	m	.5 14.93
Module, Antilock	F1DZ 2C219 A	m	.5 627.08
Bracket, Module			
L, GL, LX, SE	F2DZ 2C214 B	m	#.1 20.76
SHO	92 FODZ 2C214 A	m	#.1 d21.27
	93-95 F3DZ 2C214 A	m	#.1 d24.16
#w/Antilock Module Removed			
Wiring, Antilock	F2DZ 2C054 A	m	d415.87
Sensor, ABS Wheel			
Front	R/L FODZ 2C204 A	m	#.6 67.19
#R&R Both 1.0			
Rear	R FODZ 2C190 C	m	#.6 67.24
	L FODZ 2C190 D	m	#.6 81.93
#R&R Both .7			
Indicator, ABS			
Front			
L, GL, LX, SE	92 R/L F8DZ 2C182 BAm	#1.8	4.00
	93 R/L F3DZ 2C182 B	m	#1.8 11.81
	94-95 R/L F8DZ 2C182 BAm	#1.8	4.00
SHO	92 R/L F8DZ 2C182 BAm	#1.8	4.00
	93 R/L F3DZ 2C182 A	m	#1.8 22.12
	94-95 R/L F8DZ 2C182 BAm	#1.8	4.00
#R&R Both 3.4			
Rear	R/L FODZ 2C189 A	m	#.9 58.79
#R&R Both 1.6			

CRUISE CONTROL SYSTEM

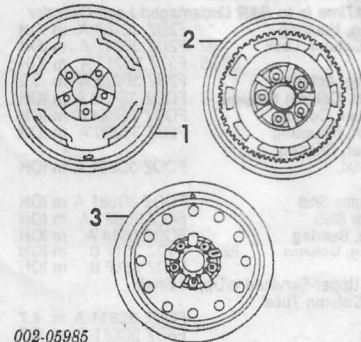
Actuator, Cruise			
L, GL, LX, SE			
3.0L Eng	F1DZ 9A825 C	m	.3 26.67
3.8L Eng	F5DZ 9A825 A	m	.3 33.17
SHO			
3.0L Eng	FODZ 9A825 A	m	.3 39.62
3.2L Eng	F4DZ 9A825 A	m	.3 37.03
Servo, Cruise			
3.0L Eng			
L, GL, LX, SE	E6FZ 9C735 A	m	.6 158.88
SHO	FODZ 9C735 A	m	.6 216.85
3.2L Eng	F8ZZ 9C735 AAm	.6	169.13
3.8L Eng	E6FZ 9C735 A	m	.6 158.88
Bracket, Servo			
L, GL, LX, SE	F1DZ 9C736 B		8.47
SHO			
3.0L Eng	FODZ 9C736 A		8.73
3.2L Eng	F3DZ 9C736 A		309.22
Reservoir, Vacuum	E9DZ 9E799 A	m	22.22

WHEEL

Use Procedure Explanation 10 with the following text.

STEEL WHEEL

Refinish Wheel	.5
Add to R&I Spare Wheel & Tire Assy	.2

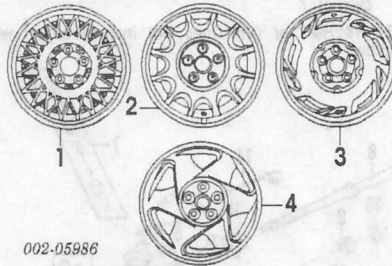


002-05985

Wheel			
1 Mini-Spare	F3OY 1007 C	.3	92.61
2 Styled			
14"x4"	FODZ 1007 E	.3	104.29
14"x5.5"	92-93 F2DZ 1007 B	.3	312.29
15"x6"	94-95 F4DZ 1007 F	.3	93.67
3 Styled (Mini-Spare)			
15"x4"	F3OY 1007 C	.3	92.61

ALUMINUM WHEEL

Add to R&I Spare Wheel & Tire Assy2



002-05986

Wheel, Cast Aluminum			
15"x6"			
1 Lace Spoke	E6DZ 1007 C	.3	424.29
2 12 Openings			
Wagon	F1DZ 1007 A	.3	463.06
Sedan	F5DZ 1007 A	.3	379.08
3 10 Openings	92-93 F2DZ 1007 B	.3	312.29
	94-95 F4DZ 1007 A	.3	290.77
4 16"x6"			
L, GL, LX	F1DZ 1007 B	.3	424.29
SHO			
1992	FODZ 1007 D	.3	424.29
1993-95			
White	R/L F3DZ 1007 B-C	.3	445.83
Argent	R/L F3DZ 1007 A-D	.3	445.83

HUB CAP



002-05556

Cap, Hub			
Use w/Cast Alum Wheels			
L, GL, LX			
1 6 1/2"	F4DZ 1130 C	28.05	
2 6 2/3"	F2DZ 1130 B	24.86	
3 7 3/5"	F2DZ 1130 E	27.75	
4 SHO			
Alum Finish	F2DZ 1130 C	31.40	
White	F2DZ 1130 F	31.88	
Cover, Wheel			
5 Standard	F2DZ 1130 A	52.89	
Deluxe			
6 8 Opening	F2DZ 1130 H	57.32	
7 12 Opening	F4DZ 1130 A	42.27	
Ornament, Cover			
w/Deluxe Wheel Cover	F3DZ 1141 A	25.36	

FRONT SUSPENSION

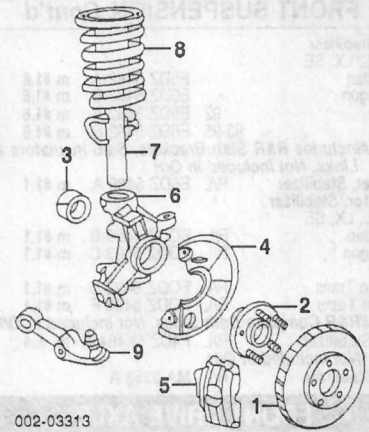
Use Procedure Explanation 11 with the following text.

R&I Suspension (One Side)	R/Lm	2.0
O/H Suspension (Includes R&I)		
One Side	R/Lm	3.3
Both Sides	m	6.3
Adjust Four Wheel Alignment	m	1.8
Bleed Brake System		
w/ABS	m	.6
w/o ABS	m	.3

NOTE 1: R&I/R&R or O/H Does Not include alignment or bleed brake system.

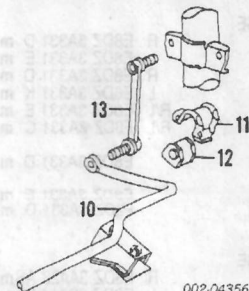
NOTE 2: Refer to Special Cautions Section at the beginning of this vehicle text.

NOTE 3: All Parts in this section are included in overhaul unless noted otherwise.



002-03313

1 Rotor, Hub			
L, GL, LX, SE	92-93 R/L F2DZ 1125 A	m	#.6 85.00
	94-95 R/L F4DZ 1125 A	m	#.6 71.39
SHO	92-93 R/L F2DZ 1125 B	m	#.6 85.00
	94-95 R/L F4DZ 1125 B	m	#.6 85.00
#R&R Both 1.0			
2 Hub, Drive	R/L F2DZ 1104 A	m	#1.8 122.92
3 Bearing, Wheel	R/L E9DZ 1215 A	m	#1.8 48.07
#R&R One Side Complete, Includes R&R Rotor			
4 Shield, Splash	92 R/L F2DZ 2K004-5 A	m	#.2 14.29
	93-95 R/L F3OY 2K004-5 A	m	#.2 15.03
#w/Rotor Removed			
5 Caliper, Brake	92 R/L FODZ 2B120-1 A	m	#.5 64.97
	93 R/L F3DZ 2B120-1 B	m	#.5 70.69
	94-95 R/L F4DZ 2B120 A	m	#.5 104.67
	L F4DZ 2B121 A	m	#.5 117.74
#R&R Both .8, w/Rotor Removed Deduct .4			
Hose, Brake	R F4DZ 2078 A	m	#.3 25.24
	L F4DZ 2078 B	m	#.3 24.55
#w/Caliper Removed Deduct .2			
Indicator, ABS-See Antilock Brake System Section			
Sensor, ABS-See ABS/Brakes Section			
6 Knuckle			
w/ABS			
1992	R F3DZ 3K185 A	m	#1.8 276.57
	L F3DZ 3K186 A	m	#1.8 286.23
1993			
L, GL, LX	R F3DZ 3K185 A	m	#1.8 276.57
	L F3DZ 3K186 A	m	#1.8 286.23
SHO	R/L F3DZ 3K185-6 B	m	#1.8 319.97
1994-95	R F3OY 3K185 A	m	#1.8 283.25
	L F3OY 3K186 A	m	#1.8 290.45
w/o ABS	92-93 R/L F3DZ 3K185 A	m	#1.8 276.57
	L F3DZ 3K186 A	m	#1.8 286.23
	94-95 R/L F3OY 3K185 A	m	#1.8 283.25
	L F3OY 3K186 A	m	#1.8 290.45
#Includes R&R Rotor, Hub, Bearing & Splash Shield			
Bolt, Knuckle			
Upper	R/L N803989 SA		4.02
Lower	R/L N804021 S60		3.36
7 Strut			
L, GL, LX, SE			
To 4-92	R/L F7AZ 18124 HB	m	#1.9 87.95
From 4-92	R/L F4DZ 18124 C	m	#1.9 87.95
SHO	92 R/L F7AZ 18124 HB	m	#1.9 87.95
	93-95 R/L F4DZ 18124 D	m	#1.9 87.95
[Order by Application]			
8 Spring, Coil	R/L E6DZ 5310 AJ	m	#1.9 79.46
[Order by Stamping Number]			
Bearing & Seal, Strut	92-93 R/L F1DZ 3B455 A	m	#1.9 31.82
	94-95 R/L F4DZ 3B455 A	m	#1.9 26.07
Bracket, Strut	R/L F1DZ 18183 AA	m	#1.9 21.02
#R&R One Side Complete, R&R Both Sides 3.6, w/Knuckle Removed R&R One Side Deduct 1.3			
Plate, Hsg Reinf	R/L FODZ 3B154 A		8.72
Cup, Strut Cover			
SHO	R/L E9DZ 18A179 A		7.86
9 Arm, Lower			
L, GL, LX, SE	R F4DZ 3078 A	m	#.9 93.08
	L F4DZ 3079 A	m	#.9 83.45
SHO	R/L F4DZ 3078-9 B	m	#.9 82.20
#w/Knuckle Removed Deduct .6			
Arm, Strut	R/L E8DZ 3468 A	m	#.9 47.33
#w/Lower Arm Removed Deduct .7			



002-04356

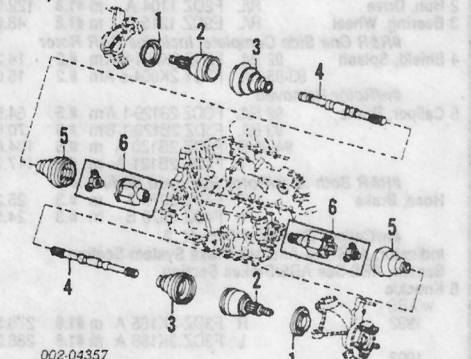
FRONT SUSPENSION Cont'd

10 Bar, Stabilizer L, GL, LX, SE				
Sedan	E6DZ 5482 A	m #1.6	132.95	
Wagon	E6DZ 5482 B	m #1.6	133.03	
SHO	92 E9DZ 5482 A	m #1.6	103.35	
	93-95 E6DZ 5482 B	m #1.6	133.03	
#Includes R&R Stab Brackets, Stab Insulators & Stab Links, Not Included in O/H				
11 Bracket, Stabilizer	R/L E6DZ 5486 A	m #1.1	13.37	
12 Insulator, Stabilizer L, GL, LX, SE				
Sedan	R/L FODZ 5493 B	m #1.1	14.37	
Wagon	R/L FODZ 5493 C	m #1.1	16.63	
SHO				
Auto Trans	R/L FODZ 5493 C	m #1.1	16.63	
Man Trans	R/L FODZ 5493 F	m #1.1	14.07	
#R&R Complete Both Sides, Not Included in O/H				
13 Link, Stabilizer	R/L F4DZ 5K484 A	m #.4	43.00	
#Not Included in O/H				
Bolt, Stabilizer	R/L MA 3358 A		d9.73	

FRONT DRIVE AXLE

R&I Axle Shaft Assy				
One Side	R/Lm #1.3			
Both Sides	m #2.4			
O/H Axle Shaft Assy (Includes R&I)	R/Lm #1.9			
#w/Each Steering Knuckle Removed Deduct 1.0				

NOTE: New hub retainer nut and suspension fasteners must be replaced if loosened or removed.



002-04357

1 Shield, Grease	R/L E9SZ 2217 A	m	5.97	
2 Joint, Outer 3.0L Eng				
L, GL, LX, SE				
w/ABS				
To 5-26-93	R/L E8OY 3B413 B	m #1.6	160.94	
From 5-26-93	R/L F4DZ 3B413 A	m #1.6	256.94	
w/o ABS				
To 5-26-93	R/L E6DZ 3B413 C	m #1.6	135.80	
From 5-26-93	R/L F3DZ 3B413 B	m #1.6	271.54	
SHO	R/L E8OY 3B413 B	m #1.6	160.94	
3.2L Eng	R/L F3DZ 3B413 A	m #1.6	296.14	
3.8L Eng	R/L E8OY 3B413 B	m #1.6	160.94	
3 Boot, Joint Outer 3.0L Eng				
L, GL, LX, SE				
w/ABS	R/L F2DZ 3A331 A	m #1.6	13.66	
w/o ABS	R/L F2DZ 3A331 B	m #1.6	13.66	
SHO	R/L F2DZ 3A331 A	m #1.6	13.66	
3.2L Eng	R/L F3DZ 3A331 C	m #1.6	30.08	
3.8L Eng	R/L F2DZ 3A331 A	m #1.6	13.66	
#R&R One Side Complete				
4 Shaft, Axle 3.0L Eng				
L, GL, LX, SE				
w/ABS	R F5DZ 3A428 ASm 1.9	366.14		
	L F5DZ 3A427 BAm 1.9	326.84		
w/o ABS				
1992-Serviced Only w/Joint Assy	R F5DZ 3A428 ASm 1.9	366.14		
1993-95	L F5DZ 3A427 BAm 1.9	326.84		
SHO	R F5DZ 3A428 ASm 1.9	366.14		
	L F2DZ 3B436 C m 1.9	283.76		
3.2L Eng	R/L F3DZ 3A329 A-Bm 1.9	95.90		
3.8L Eng	R F5DZ 3A428 ASm 1.9	366.14		
	L F5DZ 3A427 BAm 1.9	326.84		
5 Boot, Shaft Inner 3.0L Eng				
L, GL, LX, SE				
w/ABS	R E8DZ 3A331 D	m #1.6	25.70	
	L E8DZ 3A331 E	m #1.6	18.14	
w/o ABS	R E8DZ 3A331 D	m #1.6	25.70	
	L E6DZ 3A331 K	m #1.6	17.90	
SHO (2)	R/L E8DZ 3A331 E	m #1.6	18.14	
3.2L Eng	R/L F3DZ 3A331 C	m #1.6	30.08	
3.8L Eng				
Right	E8DZ 3A331 D	m #1.6	25.70	
Left				
To 6-92	E8DZ 3A331 E	m #1.6	18.14	
From 6-92	F2DZ 3A331 D	m #1.6	30.08	
6 Joint, Inner 3.0L Eng				
L, GL, LX, SE				
w/ABS	R F5DZ 3A428 ASm #1.6	366.14		
	L E8DZ 3B414 D m #1.6	d193.49		

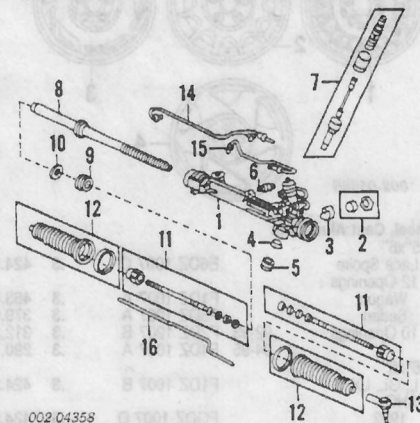
w/o ABS	R F5DZ 3A428 ASm #1.6	366.14	
	L F5DZ 3A427 BAm #1.6	326.84	
SHO	R/L F2DZ 3B436-7 Cm #1.6	283.76	
3.2L Eng	R F5DZ 3B436 D m #1.6	293.74	
	L F5DZ 3B437 B m #1.6	348.42	
3.8L Eng	R F5DZ 3A428 ASm #1.6	366.14	
	L E8DZ 3B414 D m #1.6	d193.49	

#R&R One Side Complete

FRONT STEERING LINKAGE/GEAR

R&I Steering Gear	m #2.3	
O/H Steering Gear (Includes R&I)	m #4.7	
#Includes Bleed System, w/Sub-Frame Assy Removed Deduct .7		

NOTE: R&I/R&R or O/H Does Not include adjust wheel alignment.



002-04358

Gear Assy (Short Rack)			
w/Variable Assist Strg	F3DZ 3504 EBRMm #3.5	166.67	
L, GL, LX, SE	F2DZ 3504 OBRMm #3.5	253.33	
SHO	F3DZ 3504 BBRMm #3.5	166.67	
w/o Variable Assist Strg			
#Remanufactured Part. Contact Dealer for Core Charge & Exchange Information			
1 Housing, Strg Gear	E8DZ 3548 A	m #4.7	293.14
#Includes Bleed System, w/Sub-Frame Assy Removed Deduct .7			
2 Cover, Shaft Housing	E6DZ 3580 A	m	16.31
3 Yoke, Shaft Support	E8DZ 3F515 A	m	5.15
4 Cup, Bearing	D8BZ 3552 A	m	23.15
5 Cover, End	92 F3DZ 3568 A	m	3.86
	93-95 F3DZ 3568 A	m	3.86
6 Switch, Pump Pressure L, GL, LX, SE	F3TZ 3N824 A	m .6	24.90
SHO	92 F3TZ 3N824 A	m .6	24.90
	93-95 F3DZ 3N824 A	m .6	21.55
7 Shaft & Control, Input L, GL, LX, SE			
w/Variable Assist	FODZ 3D517 A	m	213.53
w/o Variable Assist	F1DZ 3D517 B	m	188.10
SHO	FODZ 3D517 A	m	213.53
8 Shaft, Sector-Serviced w/Gear Assy			
9 Bushing, Sector Shaft	D9BZ 3576 A	m	15.73
10 Cover, Housing	D8BZ 3568 B	m	9.33
11 Rod, Connecting	R/L F6SZ 3280 BA	m #.9	30.05
12 Boot, Dust	R/L E6RZ 3332 A	m #.9	21.78
#R&R One Side Complete			
13 End, Connecting Rod Tube, Steering Gear	R/L F2DZ 3A130 BAm	.2	24.05
14 Right Turn	92 E8DZ 3A717 A	m	10.13
	93-95 F3DZ 3A717 A	m	10.13
15 Left Turn	92 E8DZ 3A714 A	m	9.79
	93-95 F3DZ 3A714 A	m	3.34
16 Tube, Gear Rack	E8DZ 3K762 A	m	9.65

STEERING PUMP

Pump, Steering			
3.0L Eng			
L, GL, LX, SE	E79Z 3A674 AARMm #1.8	105.47	
SHO	92 F3DZ 3A674 A	m #2.4	338.22
	93-95 F3DZ 3A674 A	m #2.4	338.22
3.2L Eng	F3DZ 3A674 A	m #2.4	338.22
3.8L Eng	E79Z 3A674 AARMm #1.9	105.47	
#Remanufactured Part. Contact Dealer for Core Charge & Exchange Information			
#To Bleed System Add .4			
Pulley, Pump			
3.0L Eng			
L, GL, LX, SE	E57Y 3A733 A	m #1.0	20.97
SHO	E9DZ 3A733 A	m #1.0	94.32
3.2L Eng	F3DZ 3A733 A	m #1.0	95.27
3.8L Eng	F78Z 3A733 AA	m #1.0	9.50
#Included in R&R Steering Pump			
Reservoir, Pump			
3.0L Eng	92 E1FZ 3A697 B	m .7	34.53
	93-95 E5DZ 3A697 A	m .7	29.14
	E5DZ 3A697 A	m .7	29.14
3.8L Eng	F3DZ 3C511 C	m #.2	83.63
#w/Steering Pump Removed			
Hose, Pressure	FODZ 3A719 B	m #2.7	37.42
Hose, Return	F2DZ 3A713 E	m #2.7	46.32
#Order by Application			
#Time is to R&R One or Both, To Bleed System Add .4			

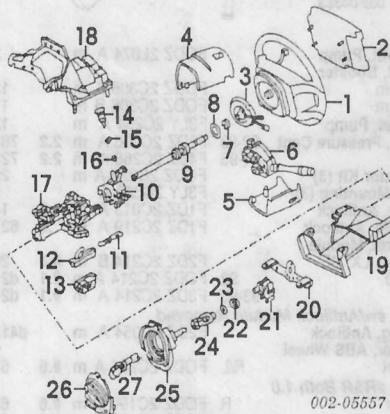
Belt, Drive-See Cooling Section

STEERING WHEEL/COLUMN

FIXED WHEEL

Refinish Lock Hsg Covers	.5
Refinish Upper Lock Hsg Cover	.3
Refinish Lower Lock Hsg Cover	.3
R&I Steering Column	m 1.0
O/H Steering Column (Includes R&I)	m 2.8
Add to R&I or O/H Steering Column w/Column Shift	m .3

NOTE: All Parts in this section are included in overhaul unless noted otherwise.



002-05557

1 Wheel, Steering			
L, GL, LX, SE			
w/Leather	92-93 F1DZ 3600 C	m .5	359.98
	94-95 F4DZ 3600 A	m .5	340.08
w/o Leather			
w/Cruise Control	92-93 F1DZ 3600 B	m .5	287.54
	94-95 F4DZ 3600 T	m .5	307.10
w/o Cruise Control	92 F1DZ 3600 J	m .5	381.07
	93 F3DZ 3600 D	m .5	194.32
	94 F4DZ 3600 F	m .5	200.13
	95 F5SZ 3600 B	m .5	205.77
	F3DZ 3600 E	m .5	526.40
SHO			
1992-93	R/L F1DZ 13A805 BA-AA	m #.3	d10.83
1994-95-Serviced w/Air Bag Module			
#Brown listed, Order by Application			
#Included in R&R Steering Wheel			
3 Clockspring, Air Bag-See Air Bag System Section (Cover, Lock Housing P)			
4 Upper			
Column Shift	F2AZ 3530 B	m #.5	19.62
Floor Shift			
Auto Trans	F2DZ 3530 A	m #.5	21.13
Man Trans	F2DZ 3530 B	m #.5	24.00
5 Lower	F2AZ 3530 A	m #.5	19.25
(P) Paint to Match			
#R&R Complete			
6 Switch, Turn & Wiper Bearing, Column	F4SZ 13K359 AB	m .7	51.13
7 Upper	92-94 F4DZ 3517 B	m 1.0	5.26
	95 F4DZ 3517 A	m 1.0	3.70
8 Lower	92-94 F4DZ 3517 C	m #1.5	5.87
	95 F4DZ 3517 B	m #1.5	5.26
#w/Auto Trans Add .3			
9 Shaft, Upper	92-94 F5DZ 3524 A	m 1.5	69.95
	95 F5DZ 3524 A	m 1.5	69.95
10 Flange, Tube	F6DZ 3511 A	m 1.3	44.70
11 Actuator, Column Lock	F2DZ 3E723 A	m IOH	9.88
12 Pawl, Column Lock w/Column Shift	FODZ 3E691 B	m IOH	9.48
w/Floor Shift	FODZ 3E691 A	m IOH	7.56
13 Switch, Ignition	F4DZ 11572 B	m .6	24.16
14 Cylinder & Key	F3DZ 11582 A	m #.6	36.53
#Order by Application			
#Time is to R&R Undamaged Lock Cylinder			
15 Bearing, Housing	F2DZ 3E700 A	m IOH	1.60
16 Gear, Column Lock	92 F2DZ 3E717 A	m IOH	12.58
	93-95 F3TZ 3E717 A	m IOH	4.17
17 Housing, Actuator	F2DZ 3F723 A	m 2.2	101.45
18 Bracket, Column Support	FODZ 3B139 A	m IOH	88.89
19 Absorber, Column	FODZ 3E644 A	m IOH	d26.82
20 Bracket, Mounting	F2DZ 3E660 A	m IOH	8.27
21 Retainer, Bearing			
	1992-94		
	1995		
Column Shift	FODZ 3D681 A	m IOH	15.42
Floor Shift	FODZ 3D681 A	m IOH	15.42
22 Sleeve, Bearing	F4DZ 3518 A	m IOH	2.04
23 Bearing, Column	92-94 F4DZ 3517 B	m IOH	5.26
	95 F4DZ 3517 B	m IOH	5.26
24 Shaft, Upper-Serviced w/Upper Shaft Boot, Column Tube			
25 Inner	FODZ 3C611 A	m #.7	35.98
26 Outer	E6DZ 3C611 B	m #.7	96.52
27 Shaft, Lower	F5DZ 3B676 A	m #.7	147.52

#R&R Complete, Not Included in O/H, w/Column Removed Deduct .2

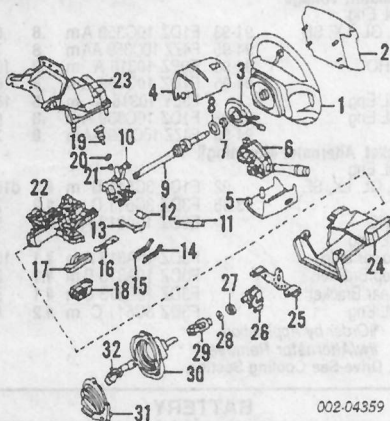
32 Shaft, Lower F5DZ 3B676 A m #7 147.52
#R&R Complete, Not Included in O/H, w/Column Removed Deduct .2

ENGINE/TRANS MOUNTS

TILT WHEEL

Refinish Lock Hsg Cover Complete5
R&I Steering Column	m 1.0
O/H Steering Column (Includes R&I)	m 2.8
Add to R&I or O/H Steering Column w/Column Shift	m .3

NOTE: All Parts in this section are included in overhaul unless noted otherwise.



002-04359

1 Wheel, Steering] L, GL, LX, SE w/Leather	92-93 F1DZ 3600 C	m .5	369.98
	94-95 F4DZ 3600 A	m .5	340.08
w/o Leather w/Cruise Control	92-93 F1DZ 3600 B	m .5	287.54
	94-95 F4DZ 3600 T	m .5	307.10
w/o Cruise Control	92 F1DZ 3600 A	m .5	d164.41
	93 F3DZ 3600 D	m .5	194.32
	94 F4DZ 3600 F	m .5	200.13
	95 F6SZ 3600 B	m .5	205.77
	F3DZ 3600 E	m .5	526.40
SHO			
2 Module, Air Bag-See Air Bag System Section Switch, Horn 1992-93] R/L F1DZ 13A805 BA-AA	#3	d10.83	
1994-95-Serviced w/Air Bag Module [Brown listed, Order by Application #Included in R&R Steering Wheel			
3 Clockspring, Air Bag-See Air Bag System Section Cover, Lock Housing (P)			
4 Upper Column Shift F2AZ 3530 B	m #.5	19.62	
Floor Shift F2DZ 3530 A	m #.5	21.13	
Auto Trans F2DZ 3530 B	m #.5	24.00	
Man Trans F2AZ 3530 A	m #.5	19.25	
5 Lower (P) Paint to Match #R&R Complete	F4SZ 13K359 AB	m .7	51.13
6 Switch, Turn & Wiper Bearing, Column			
7 Upper 92-94 F4DZ 3517 C	m 1.0	5.87	
	95 F4DZ 3517 A	m 1.0	3.70
8 Lower 92-94 F4DZ 3517 B	m #1.5	5.26	
	95 F4DZ 3517 B	m #1.5	5.26
#w/Auto Trans Add .3			
9 Shaft, Upper 92-94 F5DZ 3524 A	m 1.5	69.95	
	95 F5DZ 3524 A	m 1.5	69.95
10 Flange, Tube F6DZ 3511 A	m 1.3	44.70	
11 Handle, Tilt Wheel 92-93 F39Z 3F609 A	m .2	4.93	
	94-95 F39Z 3F609 A	m .2	4.93
12 Cam, Column Lock FODZ 3E695 A	m IOH	3.65	
13 Lever, Column Release FODZ 3D544 A	m IOH	10.23	
14 Right F2DZ 3B661 A	m IOH	7.35	
15 Left F2DZ 3D653 A	m IOH	5.27	
16 Actuator, Column Lock F2DZ 3E723 A	m IOH	9.88	
17 Pawl, Column Lock w/Column Shift FODZ 3E691 B	m IOH	9.48	
w/Floor Shift FODZ 3E691 A	m IOH	7.56	
18 Switch, Ignition F4DZ 11572 B	m .6	24.16	
19 Cylinder & Key] #Order by Application #Time is to R&R Undamaged Lock Cylinder	F3DZ 11582 A	m #.6	36.53
20 Bearing, Housing F2DZ 3E700 A	m IOH	1.60	
21 Gear, Column Lock 92 F2DZ 3E717 A	m IOH	12.58	
	93-95 F3TZ 3E717 A	m IOH	4.17
22 Housing, Actuator F2DZ 3F723 A	m 2.2	101.45	
23 Bracket, Column Support FODZ 3B139 A	m IOH	88.89	
24 Absorber, Column FODZ 3E644 A	m IOH	d26.82	
25 Bracket, Mounting F2DZ 3E660 A	m IOH	8.27	
26 Retainer, Bearing 1992-94 FODZ 3D681 A	m IOH	15.42	
1995 Column Shift FODZ 3D681 A	m IOH	15.42	
Floor Shift F4ZZ 3D681 A	m IOH	7.05	
27 Sleeve, Bearing FODZ 3518 A	m IOH	2.04	
28 Bearing, Column 92-94 F4DZ 3517 B	m IOH	5.26	
	95 F4DZ 3517 B	m IOH	5.26
29 Shaft, Upper-Serviced w/Upper Shaft Boot, Column Tube			
30 Inner FODZ 3C611 A	m #.7	35.98	
31 Outer E6DZ 3C611 B	m #.7	96.52	

ENGINE

Use Procedure Explanation 12 with the following text.

3.0L ENG L, GL, LX, SE MODEL

R&I Engine/Transaxle Assy	m 6.6	
Belt, Drive-See Cooling Section Damper, Crankshaft w/Flex Fuel	F3DZ 6316 AFFV	m 1.0	236.56
w/o Flex Fuel	92-94 FODZ 6316 A	m 1.0	105.92
	95 F7DZ 6316 AA	m 1.0	60.91
Pulley, Crankshaft	92 FODZ 6A312 A	m .8	58.50
	93-95 F3DZ 6A312 A	m .8	25.46
Cover, Timing w/Flex Fuel	93 F5DZ 6019 A	m 3.2	71.52
	94-95 F5DZ 6019 A	m 3.2	71.52
w/o Flex Fuel	92 F5DZ 6019 A	m 3.2	71.52
	93-94 F5DZ 6019 A	m 3.2	71.52
	95 F5DZ 6019 A	m 3.2	71.52
Gasket, Timing Cover	92-94 E6DZ 6020 A	m	10.63
	95 F5DZ 6020 A	m	3.81
Seal, Timing Cover Pan, Eng Oil w/Low Oil Sensor	F5DZ 6675 A	m 2.4	123.00
w/o Low Oil Sensor	F68Z 6675 BA	m 2.4	53.15
Gasket, Eng Oil Pan F23Z 6710 A	m	40.77	
Seal, Eng Oil Pan Rear E8DZ 6701 A	m	17.29	
Pump, Fuel-See Fuel Tank Section			

3.0L ENG SHO

R&I Engine/Transaxle Assy	m 8.0	
Belt, Drive-See Cooling Section Damper & Pulley, Crankshaft	E9DZ 6B321 A	m 1.0	299.21
Cover Assy, Timing Outer Upper E9DZ 6E004 A	m .4	103.89	
Center E9DZ 6E004 C	m #1.5	86.99	
Lower E9DZ 6E004 B	m #.6	48.08	
#Includes R&R Damper & Pulley #Includes R&R Upper			
Inner Upper E9DZ 6E006 A	m	70.37	
Lower E9DZ 6E006 B	m	36.00	
Gasket, Timing Cover] Outer Upper E9DZ 6020 A	m	22.49	
Lower E9DZ 6020 B	m	12.36	
Center Upper E9DZ 6020 D	m	22.72	
Lower E9DZ 6020 C	m	32.74	
#Included w/Timing Cover Assy			
Seal, Timing Cover E9DZ 6700 B	m	11.01	
Pan, Oil E9DZ 6675 A	m 2.8	314.77	
Sealant, Oil Pan F2HZ 6020 BA	m	d10.16	
Seal, Oil Pan Rear FODZ 6701 A	m	25.99	
Pump, Fuel-See Fuel Tank Section			

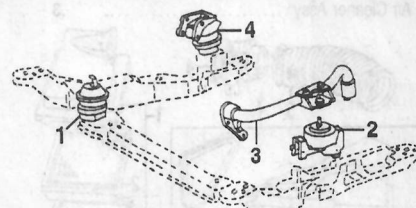
3.2L ENG

R&I Engine/Transaxle Assy	m 8.0	
Damper & Pulley, Crankshaft	F3DZ 6B321 A	m 1.0	299.21
Cover, Timing Outer Upper F3DZ 6E004 A	m .4	124.86	
Center F3DZ 6E004 C	m #1.5	81.94	
Lower F3DZ 6E004 B	m #.6	66.45	
#Includes R&R Damper & Pulley #Includes R&R Upper			
Inner Upper F3DZ 6E006 A	m	80.35	
Lower F3DZ 6E006 B	m	142.76	
Gasket, Timing Cover] F3DZ 6020 A	m	19.40	
#Included w/Timing Cover			
Seal, Timing Cover E9DZ 6700 B	m	11.01	
Pan, Eng Oil F3DZ 6675 A	m 2.8	324.21	
Sealant, Eng Oil Pan F2HZ 6020 BA	m	d10.16	
Seal, Eng Oil Pan Rear FODZ 6701 A	m	25.99	
Pump, Fuel-See Fuel Tank Section			

3.8L ENG

R&I Engine/Transaxle Assy	m 8.9	
Belt, Drive-See Cooling Section Pulley, Crankshaft] 92-93 F4DZ 6B321 A	m 1.0	188.57	
	94-95 F4DZ 6B321 A	m 1.0	188.57
#Includes Damper			
Cover, Timing Gasket, Timing Cover YF2Z 6020 AA	m	7.08	
Seal, Timing Cover F4SZ 6700 A	m	14.10	
Pan, Eng Oil w/Low Oil Sensor F5DZ 6675 CA	m 2.6	58.70	
w/o Low Oil Sensor F68Z 6675 BA	m 2.6	39.10	
Sealant, Eng Oil Pan F2HZ 6020 BA	m	d10.16	
Seal, Eng Oil Pan Rear ESZZ 6701 A	m	22.17	
Pump, Fuel-See Fuel Tank Section			

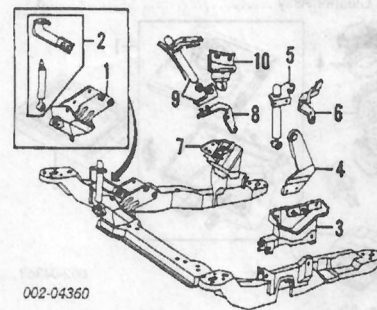
3.0L ENG L, GL, LX, SE MODEL



002-03642

1 Mount, Front	92 F8DZ 6038 AA	#.7	116.97
	93 F8DZ 6038 BA	#.7	88.27
	94-95 F4DZ 6038 A	#.7	139.63
#R&R Front & Rear Mounts .9			
2 Mount, Eng/Trans	92-94 F5DZ 6F063 C	#1.8	72.98
	95 F6DZ 6F063 A	#1.8	50.13
3 Support, Eng/Trans F68Z 6F065 AA	#1.8	49.74	
#R&R Complete, Deduct .3 w/Front & Rear Mounts Removed			
4 Mount Assy, Rear Insulator, Rear] F4DZ 6068 C	.6	102.40	
	F1DZ 6068 B	.6	91.37
#Included w/Rear Mount Assy			
Damper, Mounting R E9DZ 6M046 D	.5	91.77	
L E8DZ 6M046 D	.5	d102.63	
R/L E9DZ 6M053 A	#.7	28.00	
#Includes R&R Damper			

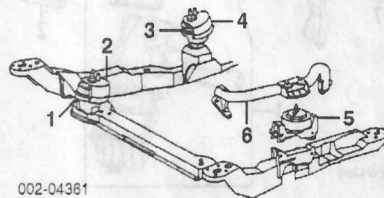
3.0L, 3.2L ENG SHO



002-04360

1 Mount, Front 3.0L Eng F1DZ 6038 C	.9	123.17	
3.2L Eng F3DZ 6038 A	.9	134.03	
2 Damper, Front Mount 3.0L Eng E9DZ 6M046 C	.5	101.86	
3 Mount, Engine/Trans 3.0L Eng F5DZ 6F063 D	1.6	78.22	
3.2L Eng 93-94 F5DZ 6F063 C	1.6	72.98	
	95 F6DZ 6F063 A	1.6	50.13
L E9DZ 6F033 A	#.2	35.80	
4 Brkt, Damper Mount #w/Damper Removed			
5 Damper, Side Mount L F2DZ 6M046 A	.5	102.63	
6 Bracket, Damper/Body E9DZ 6M053 B	#.2	38.23	
#w/Damper Removed			
7 Mount, Rear 3.0L Eng E9DZ 6068 A	1.0	64.04	
3.2L Eng F3DZ 6068 A	1.0	155.41	
8 Brkt, Damper Mount R E9DZ 6F032 A	#.2	d31.49	
#w/Damper Removed			
9 Damper, Side Mount R FODZ 6M046 A	.5	102.63	
10 Bracket, Damper/Body E9DZ 6M053 B	#.2	38.23	
#w/Damper Removed			

3.8L ENG

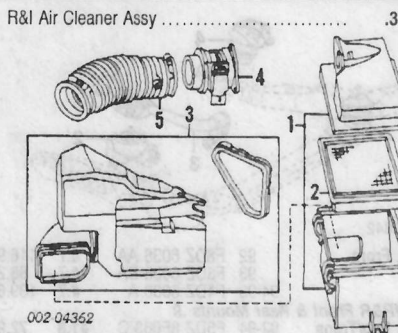


002-04361

1 Mount, Front F6DZ 6038 C	#2.0	85.25	
2 Shield, Mount Heat L F68Z 6C038 AA	#2.0	4.80	
#R&R Complete, R&R Front & Rear Mounts 2.4			
3 Mount, Rear F6DZ 6068 C	#.7	84.03	
4 Shield, Mount Heat R F68Z 6C038 AA	#.7	4.80	
#R&R Complete			
5 Mount, Eng/Trans F5DZ 6F063 C	#2.0	72.98	
6 Support, Eng/Trans F68Z 6F065 AA	#2.0	49.74	
#R&R Complete, Deduct .3 w/Front or Rear Mount Removed			

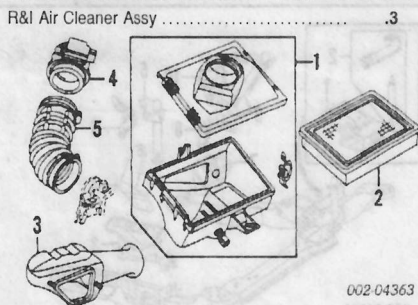
AIR CLEANER

**3.0L ENG
L, GL, LX, SE MODEL**



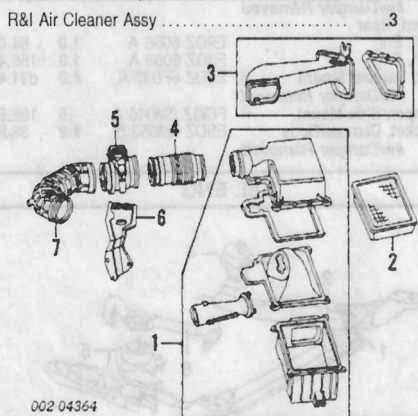
R&I Air Cleaner Assy	3	
1 Cleaner, Air w/Flex Fuel	F5DZ 9600 DFFV	.5	230.35
w/o Flex Fuel	92-93 F2DZ 9600 B	.5	255.97
	94-95 F4DZ 9600 B	.5	308.27
2 Element, Cleaner	E6AZ 9601 B		10.02
3 Resonator, Intake	F2DZ 9F763 D	.3	59.91
4 Sensor, Airflow	F0VY 12B579 A m	.5	147.73
¶Order by Application			
5 Tube, Outlet	92-93 F1DZ 9B659 E	.2	39.93
	94-95 F4DZ 9B659 B	.2	29.27

**3.0L, 3.2L ENG
SHO**



R&I Air Cleaner Assy	3	
1 Cleaner, Air 3.0L Eng	FOPZ 9600 A	#.5	178.23
3.2L Eng	FOPZ 9600 A	#.5	178.23
#Includes R&R Element			
2 Element, Cleaner	E6SZ 9601 B		10.02
3 Resonator, Intake	F2DZ 9F763 A	.3	68.51
4 Sensor, Airflow	F1ZZ 12B579 A m	.5	154.29
¶Order by Application			
5 Tube, Outlet 3.0L Eng	F1DZ 9B659 F	.2	46.00
3.2L Eng	F3DZ 9B659 B	.2	29.52

3.8L ENG



R&I Air Cleaner Assy	3	
1 Cleaner, Air 92-93 F3DZ 9600 D		#.5	225.21
94-95 F3DZ 9600 D		#.5	225.21
#Includes R&R Cleaner Element			
2 Element, Cleaner	E6AZ 9601 B		10.02
3 Duct, Intake	E8DZ 9A673 B	.2	16.33
4 Tube, Outlet	F1DZ 9B647 A	.2	29.05
5 Sensor, Airflow	F1ZZ 12B579 A m	#.6	154.29
¶Order by Application			
6 Bracket, Sensor #R&R Complete	F1DZ 9B961 A m	#.6	18.07
7 Duct, Outlet	F3DZ 9B659 C	.2	57.77

EXHAUST

Manifold, Exhaust

3.0L Eng L, GL, LX, SE w/Flex Fuel	R F3DZ 9430 E	m #1.1	141.61
	L F3DZ 9431 CFFV m	#1.1	121.31
w/o Flex Fuel			
Right	F3DZ 9430 E	m #1.1	141.61
w/Calif Emissions	F3DZ 9430 E	m #1.1	141.61
w/o Calif Emissions	E6AZ 9430 F	m #1.1	137.67
Left	E6AZ 9431 E	m #1.1	152.62
#R&R Both 2.0			
SHO			
Right	E9DZ 9430 A	m #7.0	182.26
w/Calif Emissions	E9DZ 9430 B	m #7.0	181.45
w/o Calif Emissions	E9DZ 9431 A	m #2.8	165.45
Left	F3DZ 9430 B	m #7.0	200.43
3.2L Eng	L F3DZ 9431 A	m #2.8	204.13
#R&R Both 8.7			
3.8L Eng	92-93 R F3DZ 9430 H	m #1.8	176.42
	L F48Z 9431 E	m #1.5	176.42
	94-95 R F3DZ 9430 H	m #1.8	176.42
	L F48Z 9431 E	m #1.5	176.42
#R&R Both 2.8			
Converter, Catalytic			
3.0L Eng			
L, GL, LX, SE	F2DZ 5F250 B	.9	1003.95
SHO	F2DZ 5F250 A	.9	1489.90
3.2L Eng	F3DZ 5F250 H	.9	1393.72
3.8L Eng	F2DZ 5F250 C	1.0	788.75
Resonator			
3.0L Eng			
L, GL, LX, SE	E6DZ 5A289 B	1.0	48.86
SHO	F1DZ 5A289 C	1.0	96.66
3.2L Eng	F5DZ 5G203 AA	1.0	187.67
3.8L Eng	F5DZ 5G203 AA	.7	187.67
Muffler			
3.0L Eng			
L, GL, LX, SE	F2DZ 5230 D	1.0	277.34
Sedan	F2DZ 5230 E	1.0	309.75
Wagon	F3DZ 5230 C	1.0	423.86
SHO	F3DZ 5230 B	1.0	409.93
3.2L Eng	F1DZ 5230 E	1.0	d383.57
3.8L Eng	F2DZ 5230 F	1.0	245.22
¶Order by Application			

EMISSION SYSTEM

Valve, EGR			
3.0L Eng			
L, GL, LX, SE	E6AZ 9D475 B	m .8	46.66
SHO	E8SZ 9D475 A	m .8	64.38
3.2L Eng	E6AZ 9D475 B	m .8	46.66
3.8L Eng	E8SZ 9D475 A	m .8	64.38
¶Order by Application			
Tube, EGR Valve			
3.0L Eng			
L, GL, LX, SE	F3DZ 9D477 EFFV m	.6	60.76
w/Flex Fuel	92 F1DZ 9D477 B	m .6	40.06
w/o Flex Fuel	93-95 F3DZ 9D477 D	m .6	52.44
SHO	E9DZ 9D477 A	m .9	184.80
3.2L Eng	F3DZ 9D477 A	m .9	193.49
3.8L Eng	F4DZ 9D477 C	m 2.0	94.60
w/Calif Emissions	F3DZ 9D477 F	m 2.0	39.16
w/o Calif Emissions			
Canister, Vapor			
3.0L Eng			
w/Flex Fuel	F3DZ 9D653 AFFV m	#.5	396.14
w/o Flex Fuel	92 E6AZ 9D653 A	m #.5	43.34
	93-95 E5TZ 9D653 A	m #.5	61.14
3.2L Eng	E5TZ 9D653 A	m #.5	61.14
3.8L Eng	F0DZ 9D653 B	m #.5	41.52
	F2DZ 9D665 A	m #.5	7.50
Bracket, Canister			
#R&R Complete			
Solenoid, Canister Purge w/Flex Fuel	F3DZ 9C915 BFFV m	.7	392.72
w/o Flex Fuel	E9DZ 9C915 A	m .7	40.90
Module, Control			
3.0L Eng			
L, GL, LX, SE	F2DZ 12A650 CD m	.8	215.38
SHO	F2DZ 12A650 AA m	.8	215.38
3.2L Eng	F3DZ 12A650 JC m	.8	215.38
3.8L Eng	F2DZ 12A650 HB m	.8	d215.38
¶Order by Application			
Sensor, Coolant Temp	F2AZ 12A648 A m	.8	27.93

ELECTRICAL

ALTERNATOR

Alternator			
3.0L Eng			
L, GL, LX, SE	92 F1DZ 10346 BRM m	.6	179.48
	93 F6PZ 10346 AERM m	.6	212.45
	94-95 F4PZ 10346 DRM m	.6	212.45
SHO			
1992-93	F3DZ 10346 CRM m	1.3	d457.08
1994-95	F4PZ 10346 CRM m	1.3	179.48
3.2L Eng	F3DZ 10346 ARM m	1.3	468.83
3.8L Eng	F0DZ 10346 ERM m	.6	179.48
¶Remanufactured Part. Contact Dealer for Core Charge & Exchange Information			

Pulley, Alternator

3.0L Eng			
L, GL, LX, SE	92 F8PZ 10344 CA m	#.6	17.76
	93-95 F8PZ 10344 HA m	#.6	60.29
SHO			
1992-93			
To 5-93	E9PZ 10344 A m	#1.3	40.16
From 5-93	F3DZ 10344 A m	#1.3	107.36
1994-95	F07Z 10344 A m	#1.3	14.24
3.2L Eng	F3LY 10344 A m	#1.3	d42.49
3.8L Eng	F0DZ 10344 C m	#.6	13.53
#Included in R&R Alternator			
Regulator, Voltage			
3.0L Eng			
L, GL, LX, SE	91-93 F1DZ 10C359 A m	.8	69.98
	94-95 F4ZZ 10C359 AA m	.8	70.09
SHO			
92-93	E9PZ 10316 A m	.8	104.58
94-95	F1DZ 10C359 A m	.8	69.98
3.2L Eng	F3LY 10316 A m	.8	158.76
3.8L Eng	F1DZ 10C359 A m	.8	69.98
	94-95 F4ZZ 10C359 AA m	.8	70.09
Bracket, Alternator Mounting			
3.0L Eng			
L, GL, LX, SE	92 F1DZ 3C511 B m	#.2	d156.82
	93-95 F3DZ 3C511 D m	#.2	79.93
SHO	E9DZ 10A313 A m	#.2	50.80
3.2L Eng			
Lower Side	F3DZ 10A313 A m	#.1	107.44
Top Bracket	F9DZ 10A313 B m	#.1	28.53
Rear Bracket	F3DZ 10A313 C m	#.1	53.40
3.8L Eng	F3DZ 3C511 C m	#.2	83.63
¶Order by Application			
#w/Alternator Removed			

Belt, Drive-See Cooling Section

BATTERY

Battery	BXT 58	.2	64.96
¶Order by Application			
Tray, Battery			
L, GL, LX, SE			
w/ABS	92-93 F0OZ 10732 A	#.5	27.40
	94-95 F4DZ 10732 B	#.5	15.47
w/o ABS	F4DZ 10732 A	#.5	15.51
SHO			
3.0L Eng	E9DZ 10732 A	#.5	30.32
3.2L Eng	F3DZ 10732 A	#.5	34.65
#Includes R&R Battery			
Clamp, Hold Down			
L, GL, LX, SE	92-93 E7TZ 10718 B		2.40
	94-95 E7TZ 10718 B		2.40
SHO			
3.0L Eng	F3DZ 10718 B		10.86
3.8L Eng	F3DZ 10718 A		11.36
Cable, Battery Positive			
3.0L Eng			
L, GL, LX, SE	92-93 F2DZ 14300 C	#.5	28.80
	94-95 F4DZ 14300 D	#.5	35.40
SHO	F4DZ 14300 A	#.5	58.72
3.2L Eng	F4DZ 14300 B	#.5	98.80
3.8L Eng	92-93 F2DZ 14300 A	#.5	44.34
	94-95 F4DZ 14300 E	#.5	46.28
#Time is for Battery to Relay Cable, for Relay to Starter			
Cable Add .1			
Cable, Battery Negative			
3.0L Eng			
L, GL, LX, SE	92-93 F2DZ 14301 C	.5	23.18
	94-95 F4DZ 14301 D	.5	30.16
SHO			
3.2L Eng	¶Serviced w/Battery Positive Cable		
3.8L Eng	92-93 F2DZ 14301 A	.5	32.98
	94-95 F4DZ 14301 E	.5	32.76

HORN

Horn			
L, GL, LX, SE			
w/ABS	F0DZ 13832 B	.5	44.10
w/o ABS	F0DZ 13832 A	.5	43.00
SHO	E9DZ 13832 B	.5	37.74
Relay, Horn	F8PZ 14N135 EA m	.5	18.51

IGNITION

Cap, Distributor	E6AZ 12106 A	m .5	23.82
Coil, Ignition			
3.0L Eng			
L, GL, LX, SE	92 F7PZ 12029 AA m	.5	60.67
SHO	F1DZ 12029 A m	.5	192.24
	93-95 F3DZ 12029 A m	.5	234.18
3.2L Eng	F1DZ 12029 A m	.5	192.24
3.8L Eng	F7PZ 12029 AA m	.5	60.67
Module, Ignition Control			
3.0L Eng			
L, GL, LX, SE	E9DZ 12A297 A m	.7	125.69
SHO	F1PZ 12A297 A m	.7	114.24
3.2L Eng	E9DZ 12A297 A m	.7	125.69
3.8L Eng	F1PZ 12A297 A m	.7	114.24
¶Order by Application			

STARTER

Switch, Starter	E9TZ 11450 B	m .5	19.56
Solenoid, Starter			
3.0L Eng			
L, GL, LX, SE	92 F6VZ 11390 A m	.9	d42.24
	93-95 F6VZ 11390 A m	.9	d42.24
SHO	F6VZ 11390 A m	.9	d42.24

3.2L Eng	F6VZ 11390 A	m .9	d42.24
3.8L Eng	92 F6VZ 11390 A	m 1.1	d42.24
	93-95 F6VZ 11390 A	m 1.1	d42.24

WINDSHIELD

Use Procedure Explanation 13 with the following text.

R&I Windshield #3.1
#Includes Clean Up Old Adhesive as Necessary

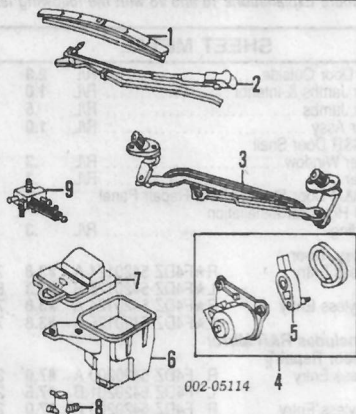
NOTE: Refer to Special Cautions Section at the beginning of this vehicle text.



002-03663

1 Glass, Windshield				
Ford-Tinted	92-94 FODZ 5403100 B	#2.7	446.25	
	95 F5DZ 5403100 A	#2.7	513.18	
NAGS				
Green/Blue Shade	92-94 DW01097GBY	#2.7	502.30	
	95 DW01201GBY	#2.7	521.30	
	#Includes Clean Up Old Adhesive as Necessary			
Urethane	EOAZ 19562 A		d63.61	
Moulding, Reveal	E9DZ 5403144 B		42.86	
Mldg, Inside Garnish	92-93 R/L F2DZ 5403598-9 C	.2	71.21	
	94-95 R/L F4DZ 5403598-9 B	.2	23.63	
	#Blue listed, Order by Application			
Mirror, Rear View	FOTZ 17700 A	.2	18.00	
Visor, Sun				
1992-94				
w/Arm & Bracket				
w/Auxiliary Visor	R FODZ 5404104 FBV	.2	279.84	
	L F2DZ 5404105 CBV	.2	d279.84	
w/o Auxiliary Visor	R/L F2DZ 5404104-5 CBV	.2	d279.84	
w/Mirror				
w/Label	R/L F2DZ 5404104-5 BBV	.2	63.13	
w/o Label	R FODZ 5404104 DBV	.2	d103.08	
	L F2DZ 5404105 BBV	.2	63.13	
w/o Mirror				
w/Label	R F2DZ 5404104 ABV	.2	57.53	
	L F2DZ 5404105 ABV	.2	63.13	
w/o Label	R FODZ 5404104 ABV	.2	d103.08	
	L F2DZ 5404105 ABV	.2	63.13	
1995				
w/Illum Mirror				
w/Auxiliary Visor	R/L F5DZ 5404104-5 AAA	.2	279.84	
w/o Auxiliary Visor	R F5DZ 5404104 CAA	.2	60.70	
	L F5DZ 5404105 CAA	.2	103.08	
w/o Illum Mirror	R/L F5DZ 5404104-5 DAA	.2	63.13	
	#Blue listed, Order by Application			

WIPER SYSTEM



002 05114

1 Blade, Wiper	92-93 R/L F5OY 17528 A	.1	9.17
	94-95 R/L F5OY 17528 A	.1	9.17
2 Arm, Wiper	92-93 R F4DZ 17526 A	#.2	26.11
	L F4DZ 17527 A	#.2	26.54
	94-95 R F4DZ 17526 A	#.2	26.11
	L F4DZ 17527 A	#.2	26.54
	#Includes R&I/R&R Blade		
3 Arm & Pivot, Wiper	F1DZ 17566 A	.8	62.75
4 Motor Assy, Wiper	F4DZ 17508 B	.7	158.42
5 Arm, Output	FOVY 17A436 A	.8	20.00
	#Included w/Wiper Motor Assy		

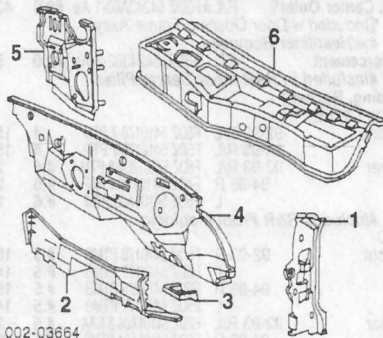
6 Reservoir Assy			
L, GL, LX, SE			
w/Low Fluid Sensor	F3DZ 17618 B	.5	105.00
w/o Low Fluid Sensor	F3DZ 17618 A	.5	81.58
SHO	92-93 E9DZ 17618 A	.5	50.42
	94-95 F4DZ 17618 A	.5	78.77
7 Cap, Reservoir			
L, GL, LX, SE			
SHO	92-93 E9DZ 17632 A		4.48
	#Included w/Reservoir Assy		
8 Pump, Washer	ESTZ 17664 B	#.5	24.69
	#Included in R&R Reservoir		
9 Manifold, Vacuum & Water	E6DZ 9S431 A		8.83

COWL & DASH

Use Procedure Explanations 14 and 28 with the following text.

Refinish Plenum Panel	1.0
Refinish Cowl Side Panel	R/L .5

NOTE: Manufacturer recommends four wheel alignment when replacing structural components in this section.



002-03664

1 Panel, Cowl Side	R F2DZ 5402038 As	3.0	48.60
	L F2DZ 5402039 As	3.0	49.83
Panel, Cowl Trim	R F2DZ 5402344 AD4	.3	32.46
	L F2DZ 5402345 AD4	.3	32.46
	#Blue listed, Order by Application		
2 Crossmember, Front	E6DZ 5410414 A	6.5	117.34
3 Reinf, Crossmember	FODZ 5410984 A		30.35
4 Panel, Dash	92 E7DZ 5401610 A	#12.5	d141.68
	93-95 F3DZ 5401610 A	#12.5	141.68
	#Includes R&R Dash Reinf & Front Crossmember, Deduct 1.5 for Each Cowl Side Panel Removed, w/Plenum Panel Removed Deduct 2.5		
5 Reinf, Dash	92-94 E7DZ 54016B28 A	1.5	13.78
	95 F5OY 54016B28 A	1.5	77.20
6 Panel, Plenum Screen, Cowl Top	R F2DZ 54018A16 A	.2	37.93
	L F2DZ 54018A17 A	#.4	36.60
	#Includes R&I/R&R Wiper Arms		

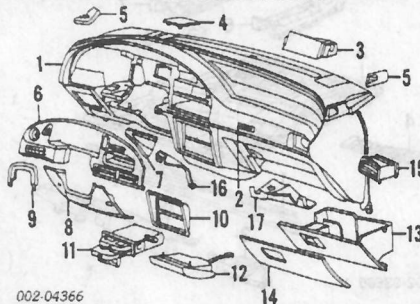
INSTRUMENT PANEL

Use Procedure Explanation 14 with the following text.

Refinish Speaker Grille	R/L	.3
R&I Instrument Panel	m	#6.0

#Includes R&I Air Cleaner Assy & Steering Column, R&R Battery, Battery Tray & Cowl Side Trim Panels

NOTE: All Parts in this section are included in R&R Instrument Panel unless noted otherwise.



002-04366

1 Panel, Instrument			
w/Air Bag	F2DZ 5404320 C m	#10.3	840.63
w/o Air Bag	F2DZ 5404320 H m	#10.0	d979.40
	#Includes R&I Air Cleaner Assy & Steering Column, R&R Battery, Battery Tray, Cowl Side Trim Panels & Main Wiring Harness		
2 Nameplate			
"Taurus"	92-93 F2DZ 54045C08 C	.3	d9.22
	94-95 F4DZ 54045C08 B	.3	d8.27
3 Module, Air Bag-See Air Bag System Section			
4 Cover, Panel Upper			
w/ATC	92-93 R F2DZ 54045G10 H	.1	43.40
	L F2DZ 54045G11 C	.1	14.12
	94-95 R F4DZ 54045G10 E	.1	40.52
	L F4DZ 54045G11 B	.1	13.50
	92-93 R F2DZ 54045G10 C	.1	13.92
	L F2DZ 54045G11 C	.1	14.12
	94-95 R F4DZ 54045G10 B	.1	13.92
	L F4DZ 54045G11 B	.1	13.50

5 Register, Defogger	92-93 R F2DZ 54046A76 C	.3	d18.70
	L F2DZ 54046A77 C	#1.0	d13.35
	94-95 R F4DZ 54046A76 C	.3	18.70
	L F4DZ 54046A77 C	#1.0	11.17
	#Includes R&I/R&R Cluster Trim Panel		
6 Panel, Cluster Trim			
L, GL, LX, SE			
Sedan	F2DZ 54044D70 H	.8	d131.10
Wagon			
w/Rear Washer/Wiper	F2DZ 54044D70 W	.8	d135.03
w/o Rear Washer/Wiper	F2DZ 54044D70 H	.8	d131.10
SHO	F2DZ 54044D70 S	.8	d141.78
7 Panel, Upper Finish	R F2DZ 54044A90 C		d45.33
	L F2DZ 54044A91 C		d46.70
8 Cover, Column	92-93 F2DZ 5404459 B	.2	65.27
	94-95 F4DZ 5404459 B	.2	127.12
	FODZ 54045F50 A		9.12
9 Filler, Column	F2DZ 5404538 A	.2	31.65
10 Panel, Center Finish			
11 Tray, Utility			
USA	FODZ 5406202 A	.3	70.78
Canada	FODZ 5406202 B	.3	d46.72
12 Ashtray	92 F2DZ 5404810 A	.3	55.82
	93-95 F2DZ 5404810 A	.3	90.25
	F2DZ 5406010 A	#.5	108.25
13 Box, Glove			
#Includes R&R Door			
14 Door, Glove Box			
	92-93 F2DZ 5406024 S	.2	125.32
	94-95 F4DZ 5406024 H	.2	125.32
15 Register, A/C			
Right	F2DZ 19893 C	.4	26.42
Center	F2DZ 19893 H	#.2	59.43
Left	F2DZ 19893 N	#.2	23.28
	#Blue listed, Order by Application		
	#Includes R&I/R&R Cluster Trim Panel		
16 Brace, Panel/Dash	F2DZ 54044F48 A		30.67
17 Absorber, Sound Radio	E6DZ 54046A24 A		25.90
AM/FM	F2DZ 18806 A	.8	255.69
AM/FM Cassette			
w/Premium Sound	F3DZ 18806 C	.8	615.30
w/o Premium Sound	F2DZ 18806 B	.8	422.11
	#Order by Application		

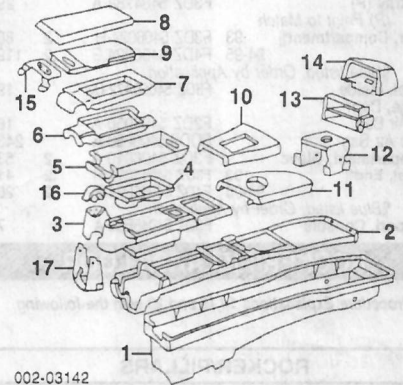
CENTER CONSOLE

Use Procedure Explanation 14 with the following text.

1992

Refinish Console Complete	1.2
Refinish Console Panel	.8
Refinish Finish Top Panel	.5
Refinish Console Door Base	.4
Refinish Lower Utility Tray	.3
Refinish Gearshift Opening Cover	.4
Refinish Front Finish Panel	.4
Refinish Utility Compartment	.3
Refinish Compartment Housing	.3
Refinish Door Opening Cover	.2
R&I Console Assy	.6

NOTE: All Parts in this section are included in R&R Console Panel unless noted otherwise.



002-03142

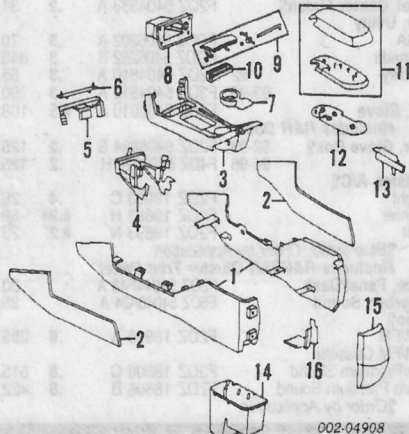
1 Panel, Console (P)	E8DZ 54045A36 A	1.0	d137.79
	(P) Paint to Match		
2 Retainer, Console	E6DZ 5404684 A	.7	d84.49
3 Panel, Finish Top (P)	E8DZ 5404567 A	.7	39.17
	(P) Paint to Match		
4 Holder, Beverage	E6DZ 5413562 A		8.25
5 Base, Console Door (P)	E6DZ 54044E66 A	#.4	d31.81
	(P) Paint to Match		
6 Hinge, Glove Box Door	E6DZ 5406050 A	#.4	d68.48
7 Tray, Utility Lower (P)	E6DZ 5406202 A	#.4	69.28
	(P) Paint to Match		
	#R&R Complete, Includes R&I/R&R Glove Box Door & Door Hinge		
8 Door, Glove Box			
Vinyl	F2DZ 5406024 C	.2	d125.32
Cloth	F2DZ 5406024 H	.2	130.20
	#Brown listed, Order by Application		
9 Tray, Utility Upper	E6DZ 5413530 A	.3	11.02
	#Included w/Glove Box Door		
10 Cover, Gearshift Opening (P)			
Man Trans	F2DZ 54044G24 A	.2	d15.95
Auto Trans	E6DZ 54044G24 A	.2	d35.63
11 Panel, Finish Front (P)	FODZ 5404567 A	.2	d95.95
	(P) Paint to Match		

TAURUS 1992-95

CENTER CONSOLE Cont'd

1992 Cont'd			
12 Support, Console Front	E6DZ 54045B28 A	.7	d15.57
13 Compartment, Utility (P)	F0DZ 5413546 A		15.77
14 Hsg, Utility Comp (P)	E6DZ 5413568 A		d17.58
<i>(P) Paint to Match</i>			
15 Hinge, Door	E6DZ 54043C30 B	.4	d20.67
16 Cover, Door Opening (P)	R/L E6DZ 54046B40-1 A		19.02
<i>(P) Paint to Match</i>			
17 Bracket, Console	E6DZ 54045C51 A	1.0	39.68

1993-95			
Refinish Ashtray			.3
R&I Console Assy			.6



1 Panel, Console Bottom	R F3DZ 54043B62 F	#1.0	97.47
	L F3DZ 54043B63 F	#1.0	82.08
<i>#Time is to R&R One or Both</i>			
2 Cover, Side	L, GL, LX, SE R/L F3DZ 54044F62-3 E		50.72
	SHO R/L F3DZ 54044F62-3 K		50.72
3 Panel, Top Finish	Man Trans F3DZ 5404567 S	#.5	124.29
	Auto Trans F3DZ 5404567 L	#.5	124.29
<i>#Brown listed, Order by Application</i>			
<i>#Includes R&I/R&R Utility Compartment & Ashtray</i>			
4 Bracket, Support	F3DZ 54043B92 A	#.1	28.60
5 Bracket, Front	F3DZ 54045A46 B	#.1	27.85
6 Bracket, Center Front	F3DZ 54047A18 A	#.1	13.93
<i>#w/Console Bottom Panel Removed</i>			
7 Holder, Cup	F3DZ 5413562 A		5.58
8 Compartment, Utility	F3DZ 5406010 D	.3	40.19
9 Door, Ashtray	F3DZ 5404786 A	.3	26.55
<i>#Black listed, Order by Application</i>			
10 Ashtray (P)	F3DZ 5404788 A		29.88
<i>(P) Paint to Match</i>			
11 Door, Compartment	93 F3DZ 5406024 H	.2	86.03
	94-95 F4DZ 5406024 E	.2	119.15
<i>#Blue listed, Order by Application</i>			
12 Panel, Inside	F3DZ 54060A72 D		19.87
13 Hinge, Door	w/Air Bag F2DZ 5406050 A		18.40
	w/o Air Bag F0DZ 5406050 A		243.32
14 Compartment, Glove	F3DZ 5406010 A	.2	53.57
15 Panel, End	93 F3DZ 54045D72 H	.2	41.94
	94-95 F4DZ 54045D72 E	.2	26.79
<i>#Blue listed, Order by Application</i>			
16 Support, Console	F3DZ 54045B30 A		7.27

ROCKER/PILLARS/FLOOR

Use Procedure Explanations 14,15 and 28 with the following text.

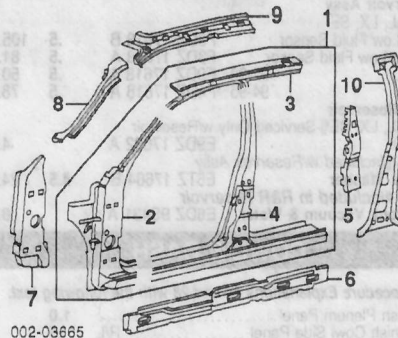
ROCKER/PILLARS

Refinish Door Frame Opening	R/L	2.5
Refinish Hinge Pillar	R/L	1.0
Refinish Outer Center Pillar	R/L	2.0
Refinish Front & Rear Rocker Panel Complete	R/L	1.6
Refinish Front Rocker Panel	R/L	1.0
Refinish Rear Rocker Panel	R/L	1.0
R&I Rocker Moulding		
L, GL, LX, SE	R/L	.4
SHO (Front & Rear)	R/L	.5
R&R Front Rocker	R/L	6.0
R&R Rear Rocker	R/L	6.0

NOTE: Manufacturer recommends four wheel alignment when replacing structural components in this section.

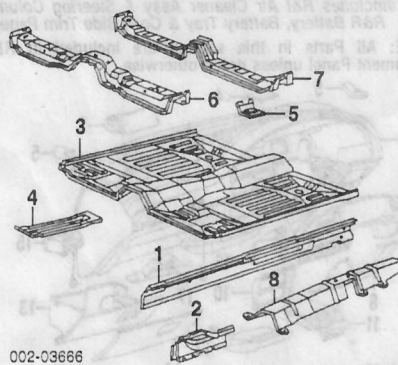
Illustration Located in Next Column

1 Frame Assy, Door Opng	R F3DZ 54211A10 As	#20.5	419.80
	L F3DZ 54211A11 As	#20.5	413.93
<i>#w/Headliner Removed</i>			
2 Pillar, Hinge	R F3DZ 54025A00 As	7.0	138.08
	L E6DZ 54025A01 As	7.0	145.00



3 Panel, Roof Side	<i>#Not Serviced</i>		
4 Pillar, Center Outer	R/L *F3DZ 54243A00-1 As	#8.0	439.67
<i>#Included w/Door Opening Frame Assy</i>			
<i>#w/Headliner Removed</i>			
5 Reinforcement	R/L F3DZ 5424382-3 As	#2.0	51.44
<i>#Included in R&R Inner Center Pillar Moulding, Rocker</i>			
L, GL, LX, SE			
Front	92-93 R/L F5DZ 5410176-7 PTM	.4	151.28
	94-95 R/L F5DZ 5410176-7 PTM	.4	151.28
Rear	92-93 R/L F5DZ 54101A04-5 PTM	#.6	24.57
	94-95 R F4DZ 54101A04 AAF	#.6	23.97
	L F5DZ 54101A05 PTM	#.6	24.57
<i>#Includes R&R Front Moulding</i>			
SHO			
Front	92-93 R F5DZ 5410176 PTMB	#.5	166.04
	L F5DZ 5410177 PTMB	#.5	147.60
	94-95 R F5DZ 5410176 PTMB	#.5	166.04
	L F5DZ 5410177 PTMB	#.5	147.60
Rear	92-93 R/L F2DZ 54101A04-5 BAA	#.5	23.97
	94-95 R F5DZ 54101A04 PTMB	#.5	d24.57
	L F4DZ 54101A05 BAF	#.5	23.97
<i>#Blue listed, Order by Application</i>			
<i>#R&R Both .7</i>			
6 Reinforcement, Frame	R/L E6DZ 5420402-3 A s	3.5	145.83
Panel, Scuff	R/L F3DZ 5413208-9 C	.4	73.69
<i>#Blue listed, Order by Application</i>			
7 Pillar, Front Lower	R/L E6DZ 5402500-1 A	2.0	75.81
8 Pillar, Front Upper	R F2DZ 5402504 A	#4.0	81.77
	L F2DZ 5402505 A	#4.0	55.47
<i>#May be Sectioned in Window Opening, included in R&R Door Opening Frame</i>			
9 Rail, Roof Side Inner-See Roof Section			
10 Pillar, Center Inner	92-94 R/L F4DZ 5424300-1 As	#2.0	87.23
	95 R/L F5DZ 5424300-1 As	#2.0	83.08
<i>#Includes R&R Reinforcement</i>			
Panel, Center Pillar Trim			
1992-93	R F2DZ 5424346 AD4	.2	d17.30
	L F2DZ 5424347 AD4	.2	d20.15
1994-95	R/L F4DZ 5424346-7 ABT	.2	25.87
<i>#Blue listed, Order by Application</i>			
Stripe, Pillar	R/L F1DZ 5420000 C	.2	38.77
<i>Pillar, Rear Lock-See Quarter Panel Section</i>			

FLOOR



1 Sidemember, Inner	R/L F5DZ 5410116-7 As	4.5	68.97
2 Ext. Sidemember Inner	R F5DZ 5410066 As	1.5	33.40
	L E8OY 5410067 As	1.5	27.35
3 Pan, Front Floor	F5OY 5411135 A	#16.0	96.78
<i>#Includes R&R Sidemember Extensions, Seat Track Reinforcements & Front Floor Crossmembers, Deduct 3.5 for Each Side Inner Member, Rear Floor Pan or Dash Panel Removed</i>			
4 Extension, Sidemember	R/L F6DZ 5410062 AA	1.0	44.23
5 Reinf, Seat Track	R F6DZ 5411634 A	.5	34.52
	L F6DZ 5411635 A	.5	45.00
<i>Crossmember, Front Floor</i>			
6 Front	92-93 E6DZ 5410692 A	1.5	77.92
	94-95 F4DZ 5410692 A	1.5	89.33
7 Rear	E6DZ 54107A94 A	1.5	d70.27
8 Deflector, Heat	L, GL, LX, SE F3DZ 5411398 A	#.3	47.52
	SHO F3DZ 5411398 C	#.3	47.52
<i>#Order by Application</i>			

#w/Exhaust System Removed

FRONT SEAT

R&I Front Seat Assy (One Side) R/L #3

#w/Power Seat Add .1

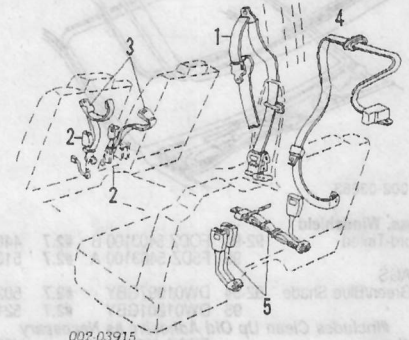
Adjuster			
w/Bucket or Split Bench			
Driver	R F1DZ 5461704 A	.7	25.00
	L F1DZ 5461705 A	.7	16.67
Passenger	R F1DZ 5461704 B	.7	16.67
	L F1DZ 5461705 B	.7	25.00
w/6 Way Seats	R/L F4DZ 5461704-5 A	.9	250.00

REAR SEAT

R&I Rear Seat Assy Complete .4

SEAT BELTS

NOTE: Refer to Special Cautions Section at the beginning of this vehicle text.



Belt, Front Seat Outer			
1 Retractor	92-93 R/L F1DZ 54611B08-9 DD	#.7	68.25
	94-95 R/L F4DZ 54611B08-9 C	#.7	68.25
<i>#Includes R&I/R&R Scuff Panel</i>			
2 Buckle	R/L F1DZ 5461202-3 AA	.2	19.37
3 Belt, Front Seat Ctr	92-93 F1DZ 54611B60 AA	.3	42.35
	94-95 F4DZ 54611B60 A	.3	42.35
<i>Belt, Rear Seat Outer</i>			
4 Retractor			
Sedan	92 R/L F2DZ 54611B68-9 D	#1.8	59.68
	93 R/L F3DZ 54611B68-9 D	#1.8	59.68
	94-95 R/L F4DZ 54611B68-9 C	#1.8	59.68
<i>#Includes R&I Rear Seat, R&I/R&R Upper & Lower Quarter Trim Panels & Package Tray Panel, R&R Both 2.0</i>			
Wagon	92 R F0DZ 74611B68 DD	#.9	59.68
	L F1DZ 74611B68 DD	#.9	59.68
	93 R/L F3DZ 74611B68-9 C	#.9	59.68
	94-95 R/L F4DZ 74611B68-9 C	#.9	59.68
<i>#Includes R&I Seat & R&I/R&R Quarter Trim Panel, R&R Both 1.5</i>			
5 Buckle	92 R F2DZ 5460044 D	#.6	26.40
	L F2DZ 5460045 A	#.6	26.40
	93 R/L F3DZ 5460044-5 D	#.6	26.40
	94-95 R/L F4DZ 5460044-5 B	#.6	26.40
<i>#Blue listed, Order by Application</i>			
<i>#R&R One or Both, Includes R&I Rear Seat</i>			

FRONT DOOR

Use Procedure Explanations 16 and 28 with the following text.

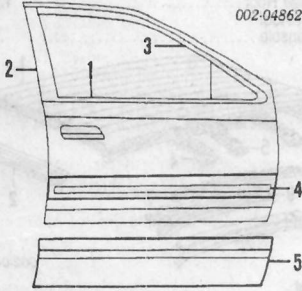
SHEET METAL

Refinish Door Outside	R/L	2.3	
Add for Jamb & Interior	R/L	1.0	
Add for Jamb	R/L	.5	
R&I Door Assy	R/L	1.0	
Add to R&I Door Shell			
w/Power Window	R/L	.3	
w/Power Lock	R/L	.3	
Add to R&R Door Shell or Door Repair Panel			
To Drill Holes for Installation			
Moulding	R/L	.3	
<i>Shell Assy, Door</i>			
w/Keyless Entry	R *F4DZ 5420124 A	#3.8	773.31
	L *F4DZ 5420125 B	#4.3	814.97
w/o Keyless Entry	R *F4DZ 5420124 A	#3.8	773.31
	L *F4DZ 5420125 A	#3.8	707.52
<i>#Includes R&R Mirror</i>			
<i>Panel, Door Repair</i>			
w/Keyless Entry	R F4DZ 5420200 A	#7.0	205.47
	L F4DZ 5420201 B	#7.5	255.37
w/o Keyless Entry	R F4DZ 5420200 A	#7.0	205.47
	L F4DZ 5420201 A	#7.0	243.70
Bar, Door Reinf	R/L E8DZ 5421204-5 A	1.5	137.12
<i>#Included w/Door Shell Assy</i>			
<i>#Includes R&R Door Glass & Mirror</i>			

EXTERIOR TRIM

Refinish Mirror Cover	R/L	.4
Refinish Rear View Mirror	R/L	.7
Refinish Side Moulding	R/L	.4
Refinish Lower Moulding	R/L	.5
R&I Rear View Mirror	R/L	#.7

#Includes R&I Trim Panel		
R&I Belt Mldg	R/L	.2
R&I Upr Mldg	R/L	#1.8
#Includes R&I Trim Panel, R&R Door Glass, Belt Mldg, Upper Run & Mirror		
R&I Lwr Mldg	R/L	.2
R&I Door Edge Mldg		
One or All		.1



Mirror, Rear View		
Electric Remote		
Sedan		
L, GL, LX, SE	R	F3DZ 17682 A #.8 89.70
	L	F3DZ 17682 B #.8 89.70
SHO	R	F3DZ 17682 C #.8 112.50
	L	F3DZ 17682 D #.8 112.50
Wagon	R	F3DZ 17682 C #.8 112.50
	L	F3DZ 17682 D #.8 112.50

#Includes R&I Trim Panel		
Glass, Mirror	R/L	F2DZ 17K707 A-B .3 37.50

1 Moulding, Belt		
Sedan		
Black	92-93 R	F4DZ 5421452 A .3 47.41
	L	F1DZ 5421453 A .3 39.77
	94-95 R	F4DZ 5421452 A .3 47.41
	L	F4DZ 5421453 A .3 49.32
Bright	R/L	F4DZ 5421452-3 B .3 46.77
Wagon	R/L	F4DZ 7421452-3 A .3 41.22

2 Tape, Blackout		
	R/L	F1DZ 5420000 B #1.0 53.35
#Includes Rear Door Front Tape		
#w/Upper Run Removed. 2, Time is for Installation Only on Front Door		

3 Moulding, Upper		
Bright		
L, GL, LX, SE	R/L	F4DZ 5420846-7 BAA #1.8 72.98
SHO	R/L	F4DZ 5420846-7 A #1.8 110.93
Black-See Glass & Parts Section		

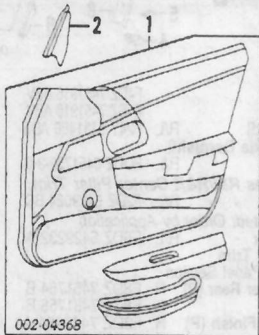
#Includes R&I Trim Panel, R&R Door Glass, Belt Mldg, Upper Run & Mirror		
4 Moulding, Side (P)		
Adhesive Type		
L, GL, SE	R	F5DZ 5420938 PTM .2 129.81
	L	F5DZ 5420939 PTM .2 129.41

5 Moulding, Lower (P)		
Clip Type		
LX	R	F5DZ 5420878 PTMD .3 104.93
	L	F5DZ 5420879 PTMD .3 104.93
SHO	R	F5DZ 5420878 PTME .3 104.93
	L	F5DZ 5420879 PTME .3 104.93

(P) Paint to Match		
Moulding, Door Edge	R/L	E7AZ 5420910 ASP #.1 d3.44
#R&R One or All		

INTERIOR TRIM

R&I Trim Panel	R/L	.5
----------------	-----	----



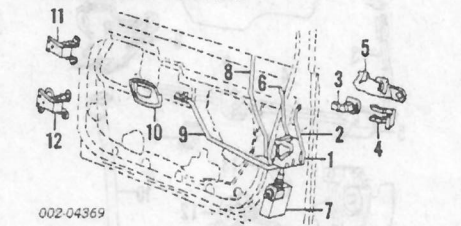
1 Panel, Trim		
L, GL		
w/Leather	R	F2DZ 5423942 DBL .7 d544.38
	L	F2DZ 5423943 DBL .7 d574.32
w/o Leather	R/L	F2DZ 5423942-3 ACB .7 d544.38
LX	R	F2DZ 5423942 CCE .7 d544.38
	L	F2DZ 5423943 CCE .7 d574.32
SE	R/L	N.A. .7 N.A.
SHO	R/L	F2DZ 5423942-3 FBL .7 d574.32

#Black listed, Order by Application		
2 Cover, Mirror Mtg Hole		
	R/L	F2DZ 17K709 B-C #.1 d7.23
#Included in R&R Trim Panel		
Speaker, Radio	R/L	F1DZ 18808 A #.2 71.14
#w/Trim Panel Removed		
Grille, Speaker	R/L	F2DZ 18978-9 B d14.47
#Order by Application		

HARDWARE

Refinish Outside Handle	R/L	.5
Refinish Upper Hinge	R/L	.2
Refinish Lower Hinge	R/L	.2
R&I Outside Handle & Lock Cyl	R/L	#.9

#Includes R&I Trim Panel		
R&R Door Lock Cylinder	R/L	#.7



1 Latch		
w/Keyless Entry		
	R	F4DZ 5421812 A #.3 48.90
	L	F4DZ 5421813 A #.3 35.40
w/o Keyless Entry		
	R	F8AZ 5421812 AA #.3 47.02
	L	F8AZ 5421813 AA #.3 46.41

#w/Trim Panel Removed		
2 Rod, Latch/Cyl		
	R/L	E7DZ 5422134-5 A 5.38
3 Cylinder & Keys		
w/Illuminated Entry		
	F3DZ	5422050 B #1.8 123.31
w/o Illuminated Entry		
	F3DZ	5422050 A #1.8 77.83

#Includes Doors & Ignition		
#Includes R&I Trim Panels		

4 Retainer, Cylinder		
	92 R/L	F1DZ 5422023 A 5.38
	93-95 R/L	F13Z 5422023 A 5.38

5 Handle, Outside		
	1992-93	R/L E7DZ 5422404-5 A #.5 16.90
	1994-95	R/L F4DZ 5422404-5 C #.5 40.22

#Red listed, Order by Application		
Pad, Keyless Entry		
	F2DZ	14A626 A #.2 86.72

#w/Trim Panel Removed		
------------------------------	--	--

6 Rod, Latch Actuating		
	R/L	E6DZ 5422152-3 A 6.37
7 Actuator, Latch		
	92-94 R/L	F8AZ 54218A42 AA #.3 67.00
	95 R/L	F8AZ 54218A42 AA #.3 67.00

#w/Trim Panel Removed		
------------------------------	--	--

8 Rod, Latch Control		
	R/L	F2DZ 5421850-1 A 6.34

9 Rod, Latch Remote		
	R/L	F2DZ 5421940-1 A 5.90

10 Handle, Inside		
	92-93 R/L	F2DZ 5421818 A #.2 17.68
	L	F5DZ 5421819 A #.2 17.03
	94-95 R/L	F5DZ 5421818-9 A #.2 17.03

#w/Trim Panel Removed		
------------------------------	--	--

11 Hinge, Upper		
	R/L	E9DZ 5422800-1 B #.5 63.33

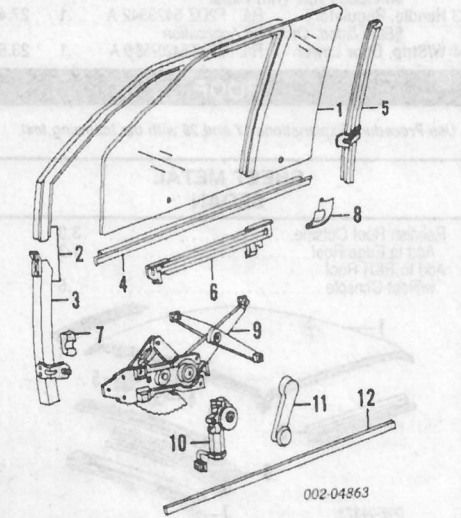
#w/Door Removed, Right Access through Glove Box Opening, Left Includes R&R Steering Column Cover		
12 Hinge, Lower		
	R/L	F4DZ 5422810-1 A #.3 30.00

#w/Door & Cowl Trim Panel Removed		
--	--	--

Weatherstrip, Opening		
	92-93 R	F4DZ 5420708 A #.2 40.32
	L	F4DZ 5420709 A #.2 34.83
	94-95 R	F4DZ 5420708 A #.2 40.32
	L	F4DZ 5420709 A #.2 34.83

#w/Necessary Interior Trim Removed		
---	--	--

GLASS & PARTS



1 Glass, Front Door		
Ford-Tinted		
	92-93 R/L	F5DZ 5421410-1 A #1.4 228.78
	94-95 R/L	F5DZ 5421410-1 A #1.4 228.78
NAGS		
	R/L	DD06966-7CLN #1.4 188.95
	R/L	DD06966-7GTN #1.4 188.95

#Includes R&I Trim Panel		
2 Run Assy, Upper		
Atlanta Built		
	R/L	F04Y 5421596-7 A #1.7 185.37
Chicago Built		
	R	F1DZ 5421596 A #1.7 87.03
	L	F1DZ 5421597 A #1.7 95.57

#Includes R&I Trim Panel, R&R Door Glass & Belt Mldg		
---	--	--

3 Retainer, Run			
To 11-92			
	R/L	F3DZ 5421572-3 A #.2 18.57	
From 11-92			
	R/L	F3DZ 5421572-3 A #.2 18.57	

#Included w/Upper Run Assy			
#w/Trim Panel Removed			

W/Strip, Belt Outer-See Exterior Trim Section			
4 W/Strip, Inner Belt			
	R/L	F0DZ 5421456-7 A 21.91	

5 Retainer, Rear Run			
	R/L	F3DZ 54222A00-1 A #.2 17.27	

#w/Trim Panel Removed			
6 Bracket, Channel			
	R/L	F2DZ 5423288-9 A 26.49	

7 Seal, Frt Finish Mldg			
	R	F2DZ 5451822 A 50.25	
	L	F2DZ 5451823 A 45.56	

8 Seal, Rear Belt			
	R/L	E6DZ 5420266-7 A 7.45	

9 Regulator, Glass			
Manual			
	92-93 R/L	F4DZ 5423200-1 A #1.6 80.93	
	94-95 R/L	F4DZ 5423200-1 A #1.6 80.93	

#Includes R&I Trim Panel & R&R Door Glass			
Power			
	R/L	F2DZ 5423208-9 A #1.7 54.67	

#Includes R&I Trim Panel, R&R Door Glass & Drive Motor			
Bracket, Reg Arm			
	R/L	F0DZ 5423230 A 10.44	

10 Motor, Drive			
	R/L	E6DZ 5423394-5 A #.8 123.74	

#Includes R&I Trim Panel			
11 Handle, Regulator			
	R/L	F2DZ 5423342 A .1 27.48	

#Blue listed, Order by Application			
12 Weatherstrip, Door Lower			
	R/L	E9DZ 5420758-9 A .1 23.63	

REAR DOOR

Use Procedure Explanations 16 and 28 with the following text.

SHEET METAL

Refinish Door Outside	R/L	2.2
Add for Jamb & Interior	R/L	1.0
Add for Jamb	R/L	.5
R&I Door Assy	R/L	1.0

Add to R&R Door Shell		
w/Power Window		
	R/L	.3
w/Power Lock		
	R/L	.3

Add to R&R Door Shell or Door Repair Panel		
To Drill Holes for Installation		
Moulding	R/L	.3

Shell Assy, Door		
	R*	F4DZ 5424630 A 3.5 909.19
	L*	F4DZ 5424631 A 3.5 909.19

Panel, Door Repair		
	R	F4DZ 5424700 A #6.5 259.28
	L	F4DZ 5424701 A #6.5 232.43

#Included w/Door Shell Assy		
#Includes R&R Door Glass		

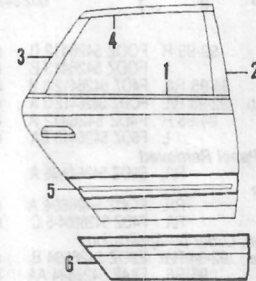
EXTERIOR TRIM

Refinish Side Moulding	R/L	.4
Refinish Lower Moulding	R/L	.5
R&I Belt Mldg	R/L	.2
R&I Upr Mldg	R/L	#1.6

#Includes R&I Trim Panel, R&R Door Glass, Belt Mldg & Upper Run		
--	--	--

R&I Lwr Mldg		
	R/L	.2

R&I Door Edge Mldg		
One or All		.1



1 Moulding, Belt		
Black		
	R	F1DZ 5425596 A .3 55.45
	L	F1DZ 5425597 A .3 53.48
Bright		
	R/L	F14Y 5425596-7 A .3 53.67

#Includes Weatherstrip		
Tape, Blackout		
Front-See Front Door Exterior Trim		

3 Rear		
	R/L	F1DZ 5420000 A #1.0 24.20

#R&R Front & Rear One Door 1.2, w/Upper Run Removed Deduct .8, Time is for Installation Only		
---	--	--

4 Moulding, Upper		
Bright		
L, GL, LX, SE		
	To 3-94	R/L F4DZ 54255A60-1 BAA #1.6 32.53
	From 3-94	R/L F4DZ 54255A60-1 BAA #1.6 32.53
SHO		
	R/L	F4DZ 54255A60-1 A #1.6 32.53

Black-See Glass & Parts Section		
#Includes R&I Trim Panel, R&R Door Glass, Belt Mldg & Upper Run		

5 Moulding, Side (P)		
Adhesive Type		
L, GL, SE	R/L	F5DZ 5425532-3 PTM .2 88.78

6 Moulding, Lower (P)		
Clip Type		
LX	R	F5DZ 5425532 PTMD .3 86.61
	L	F5DZ 5425533 PTMD .3 86.61
	R	F5DZ 5425532 PTME .3 86.61
	L	F5DZ 5425533 PTME .3 86.61

SHO		
	R	F5DZ 5425532 PTME .3 86.61
	L	F5DZ 5425533 PTME .3 86.61

(P) Paint to Match		
Moulding, Door Edge		
	R/L	E7AZ 5420910 ASP #.1 d3.44

TAURUS 1992-95

REAR DOOR Cont'd

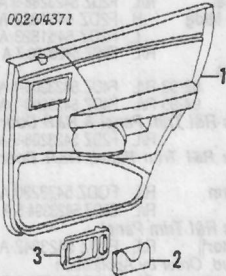
EXTERIOR TRIM Cont'd

#R&R One or All

INTERIOR TRIM

R&I Trim Panel	R/L	.5
----------------	-----	----

002-04371

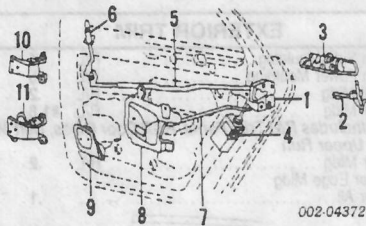


1 Panel, Trim					
L, GL					
w/Leather	R	F2DZ 5427406 CBL	.6	d448.38	
	L	F2DZ 5427407 CBL	.6	d473.03	
w/o Leather	R/L	F2DZ 5427406-7 ACB	.6	d473.03	
LX	R	F2DZ 5427406 BCE	.6	d473.03	
	L	F2DZ 5427407 BCE	.6	d448.38	
SE	R/L	N.A.	.6	N.A.	
SHO	R/L	F2DZ 5427406-7 DBL	.6	d473.03	
2 Ashtray	R/L	F2DZ 5430702 A	#.1	23.45	
<i>#Included in R&R Trim Panel</i>					
3 Housing, Ashtray					
w/Power Windows	R/L	F2DZ 14527 CC	#.2	d13.47	
w/o Power Windows	R/L	F2DZ 54274A60-1 C	#.2	19.94	
<i>Black listed, Order by Application</i>					
<i>#Includes R&R Ashtray</i>					

HARDWARE

Refinish Outside Handle	R/L	.5
Refinish Upper Hinge	R/L	.2
Refinish Lower Hinge	R/L	.2
R&I Outside Handle	R/L	#.8

#Includes R&I Trim Panel

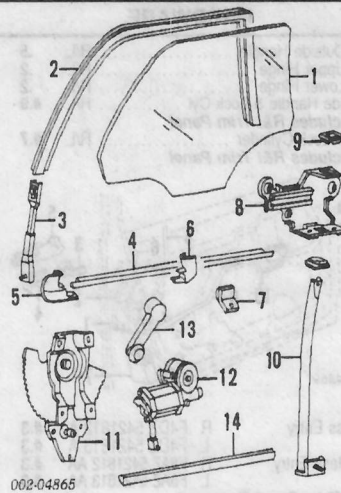


002-04372

1 Latch					
w/Power Latch	92-93 R	F0DZ 5426412 B	#.3	47.89	
	L	F0DZ 5426413 B	#.3	49.80	
	94-95 R/L	F4DZ 5426412-3 B	#.3	47.89	
w/o Power Latch	92-93 R/L	F0DZ 5426412-3 A	#.3	47.89	
	94-95 R	F4DZ 5426412 A	#.3	47.89	
	L	F5DZ 5426413 BA	#.3	47.89	
<i>#w/Trim Panel Removed</i>					
2 Link, Handle	R/L	E9DZ 54264A88 A		9.25	
3 Handle, Outside					
	1992-93	R/L	F0DZ 5426604 A	.5	55.47
	1994-95	R/L	F4DZ 5426604-5 C	.5	53.33
<i>Red listed, Order by Application</i>					
4 Actuator, Handle	92-94 R/L	E9DZ 5426594 B	#.5	d85.57	
	95 R/L	F8AZ 5426594 AA	#.5	67.00	
<i>#R&R Complete w/Trim Panel Removed</i>					
5 Link & Bellcrank	92-93 R/L	F2DZ 5426420-1 A		8.27	
	94-95 R/L	F3DZ 54264B14-5 A		18.82	
6 Rod, Latch Push Button	R	F2DZ 5426460 A		7.32	
	L	F2DZ 5426461 A		7.62	
7 Link, Latch Remote	R/L	F3DZ 5426442-3 A		7.10	
8 Bracket, Handle Mtg	R	F2DZ 54265A22 A	#.2	6.36	
	L	F2DZ 54266A23 A	#.2	12.61	
9 Handle, Inside	92-93 R	F2DZ 5421818 A	#.2	17.68	
	L	F4DZ 5421819 A	#.2	d12.05	
	94-95 R	F5DZ 5421818 A	#.2	17.03	
	L	F4DZ 5421819 A	#.2	d12.05	
<i>#w/Trim Panel Removed</i>					
10 Hinge, Upper	R/L	E8DZ 5426800-1 B	#.2	20.00	
11 Hinge, Lower	R/L	F4DZ 5426802-3 A	#.2	30.00	
<i>#w/Door & Scuff Plate Removed</i>					
Weatherstrip	R/L	F5DZ 54253A10-1 A	#.2	60.82	
<i>#w/Necessary Interior Trim Removed</i>					

GLASS & PARTS

Illustration Located in Next Column



002-04865

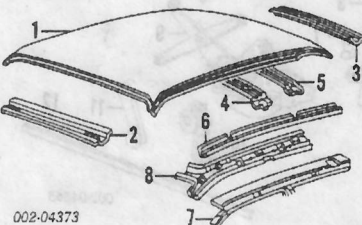
1 Glass, Rear Door					
Ford					
Clear	R/L	E6DZ 5425712-3 A	#1.4	d194.22	
Tinted	92-94 R/L	E6DZ 5425712-3 B	#1.4	185.04	
	95 R	F5DZ 5425712 A	#1.4	181.67	
	L	F5DZ 5425713 A	#1.4	185.02	
NAGS					
Clear	R/L	DD06968-9CLN	#1.4	184.20	
Green	R/L	DD06968-9GTN	#1.4	184.20	
<i>#Includes R&I Trim Panel</i>					
2 Run, Upper					
Atlanta Built	R/L	F0DZ 5425766-7 A	#1.5	139.65	
Chicago Built	R/L	F1DZ 5425766-7 A	#1.5	145.10	
<i>#Includes R&I Trim Panel, R&R Door Glass & Belt Mldg</i>					
3 Retainer, Run	R/L	E6DZ 5425796-7 A	#.2	d10.00	
<i>#w/Trim Panel Removed</i>					
<i>W/Strip, Belt Otr-See Exterior Trim Section</i>					
4 W/Strip, Belt Inner	R/L	F0DZ 5425860 A		27.12	
5 Seal, Front Corner	R/L	E6DZ 5425536-7 A		6.37	
6 Seal, Rear Corner	R/L	E6DZ 54253A02-3 A		6.37	
7 Stabilizer, Window	R/L	E6DZ 5426322 A		5.17	
8 Bracket, Channel	R/L	F0DZ 54263A52-3 A		15.64	
9 Bushing, Bracket (4)	R/L	E3AZ 5422362 A		2.97	
10 Run, Glass	92-93 R/L	E6DZ 54263A70 A	#.2	38.76	
	94-95 R/L	F4DZ 54263A70 AA	#.2	7.77	
<i>#w/Trim Panel Removed</i>					
11 Regulator, Glass					
Manual	92-93 R	F4DZ 5427000 A	#1.5	67.88	
	L	F4DZ 5427001 A	#1.5	72.22	
	94-95 R	F4DZ 5427000 A	#1.5	67.88	
	L	F4DZ 5427001 A	#1.5	72.22	
<i>#Includes R&I Trim Panel & R&R Door Glass</i>					
Power	R/L	E6DZ 5427008-9 A	#1.6	78.16	
<i>#Includes R&I Trim Panel, R&R Door Glass & Drive Motor</i>					
12 Motor, Drive	R/L	E6DZ 5423394-5 B	#.8	123.74	
<i>#Includes R&I Trim Panel</i>					
13 Handle, Regulator	R/L	F2DZ 5423342 A	.1	27.48	
<i>Blue listed, Order by Application</i>					
14 W/Strip, Door Lower	R/L	E9DZ 5420758-9 A	.1	23.63	

ROOF

Use Procedure Explanations 17 and 28 with the following text.

SHEET METAL SEDAN

Refinish Roof Outside		3.0
Add to Edge Roof		1.2
Add to R&R Roof		
w/Roof Console		.5



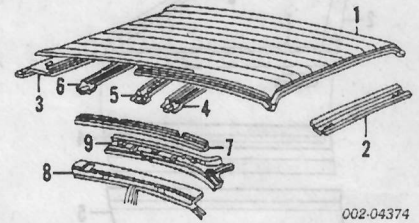
002-04373

1 Panel, Roof					
w/Sunroof	F2DZ 5450202 A	20.0	604.62		
w/o Sunroof	F2DZ 5450202 B	18.0	675.10		
2 Panel, Front Header	E6DZ 5403408 A	1.5	28.42		
3 Panel, Rear Header	F34Y 5442220 A	1.5	29.32		
Bow, Reinforcement					
4 Center	F1DZ 5450244 A	1.0	21.32		
5 Rear	E6DZ 5450217 A	1.0	35.58		
6 Rail, Drip	R	F2DZ 5451700 A		13.29	
	L	F2DZ 5451701 A		15.32	
7 Rail, Side Outer					
<i>See Rocker/Pillars/Floor Section</i>					

8 Rail, Side Inner	R	F1DZ 5451180 A	2.5	47.92
	L	F1DZ 5451181 A	2.5	39.81

SHEET METAL WAGON

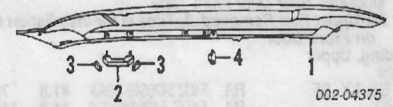
Refinish Roof Outside		3.6
Add to Edge Roof		1.2
Add to R&R Roof		
w/Roof Console		.5



002-04374

1 Panel, Roof					
w/Sunroof	*E9DZ 7450202 B	23.0	763.97		
w/o Sunroof	*E9DZ 7450202 A	21.0	539.92		
	E6DZ 7403408 A	1.5	30.25		
2 Panel, Front Header					
3 Panel, Rear Header					
To 12-92	F3DZ 7441302 A	1.5	122.90		
From 12-92	F3DZ 7441302 A	1.5	122.90		
Bow, Reinforcement					
4 Front	F1DZ 7450222 A	1.0	66.12		
5 Center	E6DZ 7450244 A	1.0	42.90		
6 Rear	E6DZ 7450217 A	1.0	42.97		
7 Rail, Drip	R	F2DZ 5451700 A		13.29	
	L	F2DZ 5451701 A		15.32	
8 Rail, Side Outer					
<i>See Rocker/Pillars/Floor Section</i>					
9 Rail, Side Inner	R	F1DZ 5451180 A	2.5	47.92	
	L	F1DZ 5451181 A	2.5	39.81	

INTERIOR TRIM SEDAN

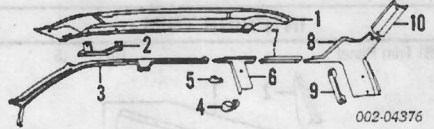


002-04375

1 Headliner					
w/Sunroof	F4DZ 5451916 BBV	1.8	d431.88		
w/o Sunroof	F4DZ 5451916 ABV	1.6	d433.08		
2 Handle, Assist	R/L	F24Y 5431406 AD5	.2	40.12	
3 Cover, Handle Retainer	R/L	F14Y 5431458 E		4.39	
4 Hook, Coat	R/L	F2DZ 5429024 BC	.1	4.78	
<i>Blue listed, Order by Application</i>					
Retainer, Hook	R/L	E6DZ 5429232 A		1.58	

INTERIOR TRIM WAGON

Refinish Side Inner Rear Mldg	R/L	.3
Refinish Corner Finish Panel	R/L	.5
Refinish Inside Rear Header Mldg	R/L	.3



002-04376

1 Headliner					
w/Sunroof	F4DZ 7451916 BBV	2.8	d377.47		
w/o Sunroof	F4DZ 7451916 ABV	2.6	d398.22		
2 Handle, Assist	R/L	F24Y 5431406 AD5	.2	40.12	
3 Moulding, Inside Garnish					
Front	R/L	F0DZ 5451752-3 B	#.4	d39.05	
<i>#Includes R&I/R&R Center Pillar Trim</i>					
4 Hook, Coat	R/L	F2DZ 5429024 BC	.1	4.78	
<i>Blue listed, Order by Application</i>					
5 Retainer, Hook	R/L	E6DZ 5429232 A		1.58	
6 Panel, Quarter Trim					
<i>See Quarter Panel Section</i>					
7 Mldg, Side Inner Rear (P)	R	E8DZ 7451754 B	.1	43.05	
	L	E8DZ 7451755 B	.1	41.44	
8 Panel, Corner Finish (P)	R	F2DZ 7440454 A	#.4	83.95	
	L	F2DZ 7440455 A	#.4	172.30	

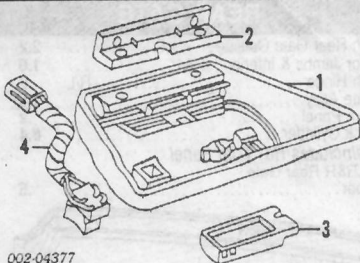
(P) Paint to Match

#Includes R&I/R&R Side Inner Rear & Inside Rear Header Moulding

9 Handle, Assist	R/L	F2DZ 7431406 AD5	.2	22.50
<i>Blue listed, Order by Application</i>				
10 Mldg, Inside Rear Header (P)	R/L	E6DZ 7441308 A	.1	d16.44
<i>(P) Paint to Match</i>				

OVERHEAD CONSOLE

Refinish Roof Console		.4
-----------------------	--	----

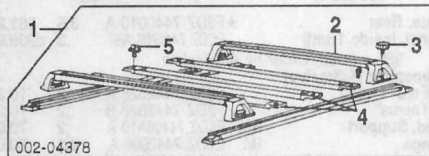


002-04377

1 Panel, Roof Console (P) (P) Paint to Match #Includes R&R Lens & Switch	E9DZ 54519B42 A	#.6	210.18
2 Bracket, Front #w/Console Panel Removed	E6DZ 54519K22 A	#.1	14.70
3 Lens, Lamp	R/L F2DZ 13734 BA-BB	.2	18.92
4 Switch, Sunroof (P) (P) Paint to Match	E6DZ 15A656 A	.5	46.87

ROOF LUGGAGE RACK SEDAN

R&R Does Not Include
Drill for Installation



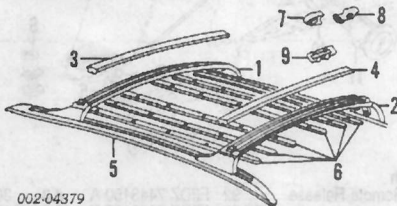
002-04378

1 Rack Assy	E7SZ 6355100 A	3.0	154.67
2 Rail, Carrier			
Front	E7SZ 6355106 B		d96.82
Rear	E7SZ 6355106 A		d96.82
3 Adjuster, Rail (4)	R/L E0DZ 66550A12 A		10.39
4 Slat, Carrier (3)	E7SZ 6355150 A		d41.07
5 Eyelet, Fastener (4)	R/L E3DZ 74550A20 A		11.13

#Included w/Rack Assy

ROOF LUGGAGE RACK WAGON

R&R Luggage Rack Complete #3.3
#Includes R&R Headliner, w/Sunroof Add .2
R&R Does Not Include
Drill for Installation

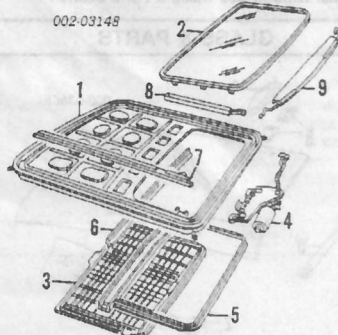


002-04379

1 Rail, Carrier			
Front	F0DZ 7455106 A	.2	136.88
Rear	E7DZ 7455106 B	.2	185.57
2 Pad, Rail			
Front	R/L E7DZ 7455156 A		11.13
Rear	E6DZ 74551A90 A		7.88
5 Rail, Side #w/Headliner Removed	R/L E7DZ 7455114-5 A	#.3	144.85
6 Slat, Carrier (6)	E6DZ 7455150 A		34.45
7 Clip, Retainer	R/L E6DZ 7455054 A		4.58
8 Eyelet, Fastener	R/L E6DZ 74550A20 A		4.48
9 Retainer, Block	R/L E8DZ 74550A98 A		4.24

SUNROOF

R&I Sunroof Assy. .8
O/H Sunroof Assy (Includes R&I) .2.5

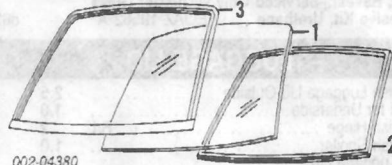


1 Panel, Sunroof-Serviced w/Roof Assy			
2 Glass, Panel			
Ford-Tinted	E8DZ 54502A82 A	.8	590.67
NAGS			
Green	DR07388GTN	.8	N.A.
Gray-Privacy	DR07388YPY	.8	N.A.
3 Headlining, Sunroof	F3DZ 54519A02 BBW	.7	323.42
#Blue listed, Order by Application			
4 Motor, Sunroof	E8DZ 15790 A	.9	297.91
5 Shield, Sunroof Opening	E6DZ 5450988 A		127.33
6 Weatherstrip	E6SZ 63502C12 A		37.55
7 Rail, Sunroof	E6DZ 5451070 A		929.32
8 Support, Air Deflector	R/L E6DZ 54502P68-9 A		d23.45
9 Deflector, Air	E6DZ 54500A26 A		108.80

BACK WINDOW

SEDAN

R&I Back Glass #2.7
#Includes Clean Up Old Adhesive as Necessary



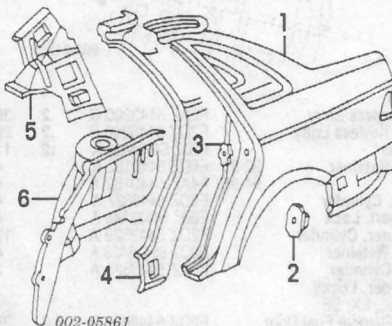
002-04380

1 Glass, Back Window			
Ford			
Heated			
92	F4DZ 5442006 A	#2.2	1852.88
93-94	F4DZ 5442006 A	#2.2	1852.88
95	F5DZ 5442006 A	#2.2	1957.07
Non-Heated			
92-93	F2DZ 5442006 A	#2.2	931.43
94-95	F4DZ 5442006 B	#2.2	d1068.09
NAGS-Green			
Heated			
1992	DB08010GTY	#2.2	N.A.
1993-94			
w/Attach	DB08223GTY	#2.2	2130.25
w/o Attach	DB08223GTN	#2.2	N.A.
1995	DB08715GTY	#2.2	2250.05
Non-Heated	DB07999GTY	#2.2	935.00
#Includes Reveal Moulding			
#Includes Clean Up Old Adhesive as Necessary			
2 Adhesive Kit, Urethane	EOAZ 19562 A		d63.61
3 Moulding, Reveal-Serviced w/Back Window Glass			

QUARTER PANEL

SHEET METAL SEDAN

Refinish Quarter Outside	R/L	2.2	
Add to Edge Panel	R/L	.5	
Add for Pillar	R/L	.5	
Refinish Fuel Door		.4	
Refinish Package Tray		1.5	
R&R Both Quarter Panels		26.7	
R&R Roof & Both Quarter Panels			
w/Sunroof		36.9	
w/o Sunroof		34.9	
R&R Rear Body Panel & Both Quarter Panels		29.2	
R&R Roof, Both Quarters & Rear Body Panel			
w/Sunroof		39.4	
w/o Sunroof		37.4	
Section Quarter Panel	R	#14.0	
	L	#13.5	
		#25.0	
Section Both Quarter Panels			
Section Both Quarter Panels & R&R Rear Body Panel		#27.5	
#Horizontal cut through Quarter Window Opening & below Back Glass, Then Vertically into Trunk Opening, Includes R&R Quarter Glass			
Add to R&R or Section Quarter Panel			
To Drill Holes for Installation			
Moulding	R/L	.2	
To R&I Back Glass		.5	



002-05861

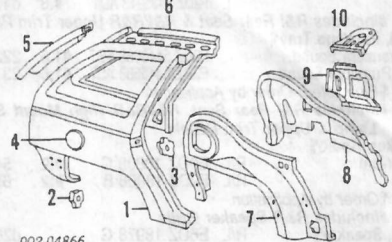
1 Panel Assy, Otr Qtr	R	F2DZ 5427840 A	#15.5	539.30
	L	F2DZ 5427841 A	#15.0	539.30
#Deduct 6.0 w/Roof Removed, Deduction Includes Common Surfaces & Included Operations				
2 Reinf, Rear Door Latch	R/L	F2AZ 5426482 A		22.13
#Included w/Outer Quarter Panel Assy				

3 Plate, Striker	R/L	E6DZ 5422024 A		2.18
Door, Fuel				
w/Remote Release	F4DZ 54405A26 B	.3	48.91	
w/o Remote Release	F4DZ 54405A26 A	.3	47.20	
Retainer, Latch	F4DZ 5428608 A		6.13	
Spring, Fuel Door Hinge	F2DZ 54405A24 A		11.80	
Cable, Fuel Door Release	F0DZ 5428610 C	1.3	4.60	
Latch, Fuel Door Release	F2DZ 5428610 A		50.82	
4 Panel, Inner Quarter				
To 4-1-93	R	F2DZ 5427790 A	5.0	193.20
	L	F4DZ 5427791 A	5.0	223.48
From 4-1-93	R	F2DZ 5427790 A	5.0	193.20
	L	F4DZ 5427791 A	5.0	223.48
5 Support, Inner Panel	R/L	F2DZ 5428006-7 A	1.0	35.45
6 Panel, Wheelhouse Inner	R	F2DZ 5427886 As	3.0	119.10
	L	F2DZ 5427887 As	3.0	300.68
Tray, Package				
92-93	F3DZ 5446506 A	#8.5	187.99	
94-95	F4DZ 5446506 A	#8.5	187.99	

#Includes R&I/R&R Package Tray, Rear Seat, High Mount Stop Lamp, Quarter Upper Trim Panels & Luggage Lid Hinges

SHEET METAL WAGON

Refinish Quarter Outside	R/L	2.4	
Add to Edge Panel	R/L	.5	
Add for Pillar	R/L	.5	
Refinish Fuel Door		.4	
R&R Both Quarter Panels		31.3	
R&R Roof & Both Quarter Panels			
w/Sunroof		48.9	
w/o Sunroof		46.9	
Add to R&R Quarter Panel			
To Drill Holes for Installation			
Moulding	R/L	.2	
To R&I Quarter Glass	R/L	.3	

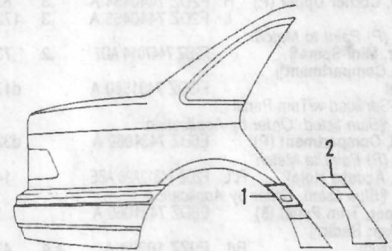


002-04866

1 Panel Assy, Otr Qtr	R*	F2DZ 7427840 A	#16.5	465.62
	L*	F2DZ 7427841 A	#16.0	465.63
#w/Headliner Removed, Deduct 2.7 w/Roof Removed, Deduction Includes Common Surfaces & Included Operations				
2 Reinf, Rear Door Latch	R/L	F2AZ 5426482 A		22.13
#Included w/Outer Quarter Panel Assy				
3 Plate, Striker	R/L	E6DZ 5422024 A		2.18
4 Door, Fuel				
w/Remote Release	F2DZ 74405A26 A	.3	49.03	
w/o Remote Release	F2DZ 74405A26 B	.3	49.03	
Retainer, Fuel Door Latch	F4DZ 5428608 A		6.13	
Spring, Fuel Door Hinge	F4DZ 54405A24 A		11.80	
Cable, Fuel Door Release	F0DZ 7428610 A	2.4	4.60	
Latch, Fuel Door Release	F2DZ 7428610 A		49.73	
5 Pillar, Rear Corner Inner	R	E6DZ 74412A02 A	1.0	51.78
	L	E6DZ 74412A03 A	1.0	81.08
6 Panel, Inner Quarter	R	F2DZ 7451212 A	3.5	74.43
	L	F2DZ 7451213 A	3.5	78.35
7 Wheelhouse, Outer	R	F2DZ 7427894 A	4.0	101.80
	L	F2DZ 7427895 A	4.0	459.97
8 Wheelhouse, Inner	R	E6DZ 7427886 A s	#3.5	108.77
	L	E6DZ 7427887 A s	#3.5	106.52
#Includes R&R Shock Mtg Member				
9 Reinf, Rail/Whlchse	R	E6DZ 7451248 A		118.05
	L	E6DZ 7451249 A		23.07
10 Member, Shock Mtg	R/L	E6DZ 18A000 A-B		92.37

EXTERIOR TRIM

Refinish Side Moulding	R/L	.3	
Refinish Lower Moulding	R/L	.3	
R&I Lwr Mldg	R/L	.2	



002-04867

1 Moulding, Side (P)				
Adhesive Type				
Sedan				
L, GL, SE	R/L	F5DZ 5429076-7 PTM	.2	14.05
Wagon				
L, GL	92 R	F5DZ 7429076 PTM	.2	38.10
	L	F5DZ 7429077 PTM	.2	36.63

TAURUS 1992-95

QUARTER PANEL Cont'd

EXTERIOR TRIM Cont'd

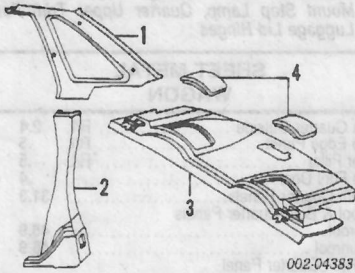
2 Moulding, Lower (P)

Clip Type

Sedan				
LX	R	F5DZ 5429076 PTMC	.2	25.63
	L	F5DZ 5429077 PTMC	.2	25.63
SHO	R	F5DZ 5429076 PTMD	.2	11.88
	L	F5DZ 5429077 PTMD	.2	14.05
Wagon	92 R	F5DZ 7429076 PTMB	.2	64.54
	L	F5DZ 7429077 PTMB	.2	32.57

(P) Paint to Match

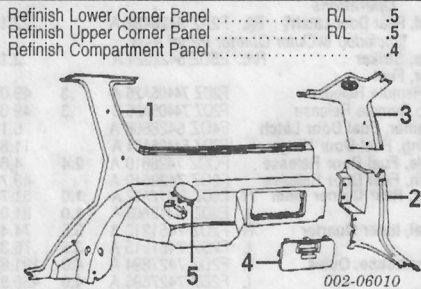
INTERIOR TRIM SEDAN



002-04383

Panel, Trim				
1 Upper	R/L	F2DZ 5452018-9 AD4	.3	d69.38
2 Lower	R	F2DZ 5431012 AD4	#.8	d41.73
	L	F2DZ 5431013 AD4	#.8	d40.98
#Includes R&I Rear Seat & R&I/R&R Upper Trim Panel				
3 Panel, Package Tray				
w/Premium Sound		F2DZ 5446668 BB7	#1.6	222.94
w/o Premium Sound		F2DZ 5446668 AB7	#1.6	231.85
#Blue listed, Order by Application				
#Includes R&I Rear Seat, R&I/R&R High Mount Stop Lamp & Upper Trim Panels				
Speaker, Radio				
Premium	R/L	E9DZ 18808 C	#.2	54.91
JBL	R/L	F2DZ 18808 B	#.2	65.92
#Order by Application				
#Includes R&R Speaker Grille				
4 Grille, Speaker	R/L	E6DZ 18978 G		d26.73
#Blue listed, Order by Application				

INTERIOR TRIM WAGON



002-06010

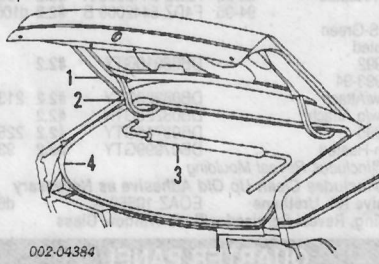
Refinish Lower Corner Panel	R/L		.5	
Refinish Upper Corner Panel	R/L		.5	
Refinish Compartment Panel			.4	
Panel, Quarter Trim				
1 Right		F2DZ 7431012 AD4	#.7	133.65
Left		F2DZ 7431013 ADU	#.7	133.65
w/Mini-Spare		F2DZ 7431013 ADU	#.7	133.65
w/o Mini-Spare		F2DZ 7431013 BD4	#.7	133.65
#Blue listed, Order by Application				
#Includes R&I Rear Seat				
2 Panel, Corner Lower (P)				
w/Tool Box	R/L	E7DZ 7440A70-1 B	.4	41.68
w/o Tool Box	R	E7DZ 7440A70 A	.3	40.27
	L	E7DZ 7440A71 A	.3	d31.30
3 Panel, Corner Upper (P)	R	F2DZ 7440A45 A	.3	83.95
	L	F2DZ 7440454 A	.3	172.30
(P) Paint to Match				
Cover, Mini-Spare		F2DZ 7447014 AD7	.2	73.06
4 Door, Compartment				
Right		FODZ 7431560 A		d17.28
Left-Serviced w/Trim Panel				
#Blue listed, Order by Application				
Panel, Compartment (P)		E6DZ 7431089 A		d32.86
(P) Paint to Match				
5 Plate, Access Hole	R/L	F2DZ 74312A28 ABE		14.53
#Blue listed, Order by Application				
Retainer, Trim Panel (6)		E6DZ 7431066 A		1.31
Speaker, Radio				
Premium	R/L	E9ZZ 18808 A	#.4	43.96
JBL	R/L	E9DZ 18808 C	#.4	54.91
#Order by Application				
#Includes R&I/R&R Corner Upper Panel				

QUARTER GLASS

Glass, Quarter				
Ford				
Sedan				
Tinted				
L, GL, LX, SE	R/L	F2DZ 5429710-1 A	1.5	865.54
SHO	92-93 R/L	F2DZ 5429710-1 A	1.5	865.54
	94-95 R/L	F4DZ 5429710-1 A	1.5	889.25
Wagon				
Clear	R/L	E6DZ 7429710-1 A	2.2	d332.87
Tinted	R/L	E6DZ 7429710-1 B	2.2	866.58
NAGS				
Sedan				
Green				
L, GL, LX, SE	R/L	DQ08006-7GTY	1.5	995.10
SHO	R/L	DQ08442-3GTY	1.5	767.50
Wagon				
Clear	R/L	DQ06976-7CLN	2.2	N.A.
Green	R/L	DQ06976-7GTY	2.2	996.30
#Includes Moulding				
Mldg, Reveal]-Serviced Only w/Quarter Glass				
Adhesive Kit, Urethane				
		EOAZ 19562 A		d63.61

LUGGAGE LID

Refinish Luggage Lid Outside			2.5	
Add for Underside			1.0	
Refinish Hinge	R/L		.2	
Refinish Spoiler			1.0	
R&I Luggage Lid			.5	
R&I Spoiler			.3	
R&I Lock Cylinder			.3	
Add to R&R Luggage Lid				
w/Remote Release			.2	
To Drill for & Install				
Spoiler			.7	

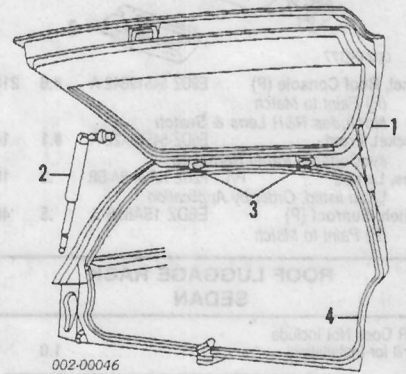


002-04384

1 Lid, Luggage		F3DZ 5440110 A	1.0	586.39
Nameplate (Adhesive)				
"Ford" Oval		F2DZ 5442528 A	.2	9.13
"Taurus"				
L, GL, LX		F2DZ 5442528 B	.2	9.13
SHO		F2DZ 5442528 AAA	.2	28.06
"FFV"		F3DZ 5442528 A	.2	9.99
#Order by Application				
2 Hinge, Lid	R	F2DZ 5442700 A	#2.6	63.33
	L	F2DZ 5442701 A	#2.6	80.00
#w/Lid Removed, Includes R&I/R&R Package Tray				
3 Bar, Torsion	R/L	F2DZ 5444890-1 A	.5	21.08
4 Weatherstrip		F2DZ 5443720 A	.3	48.70
Spoiler				
SE		N.A.	#.4	N.A.
SHO		F4DZ 5444210 A	#.4	302.17
#Includes R&R High Mount Stop Lamp				
5 Latch				
w/Keyless Entry		F2AZ 5443200 C	.2	36.17
w/o Keyless Entry		F2DZ 5443200 B	.2	26.22
6 Striker		F2DZ 5440A42 A	.2	11.43
7 Clip, Retainer	92-93	E6DZ 5440182 A		4.99
	94-95	F4AZ 5440182 A		4.17
		E6DZ 5443627 A		4.17
8 Plate, Cylinder		E6DZ 54432A48 A		4.17
9 Support, Lock		F2DZ 5443629 A		13.24
10 Retainer, Cylinder		D2DZ 65433A28 A		4.91
11 Seal, Retainer		F3AZ 5443625 A		3.50
12 Pad, Cylinder				
13 Cylinder, Lock				
L, GL, LX, SE				
w/Remote Fuel Door		F2DZ 5443507 B	#.3	38.54
w/o Remote Fuel Door		F2DZ 5443507 A	#.3	38.54
SHO		F2DZ 5443507 C	#.3	38.54
#Includes Glove Box Lock				
#Includes R&R Latch				

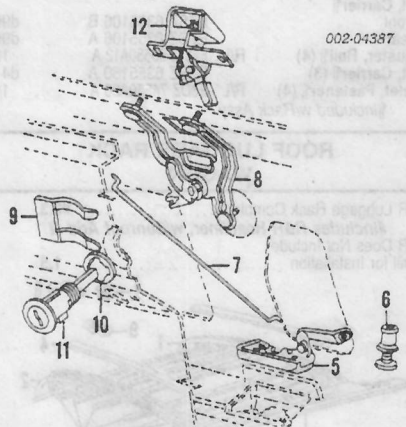
REAR GATE

Refinish Rear Gate Outside			2.2	
Add for Jamb & Interior			1.0	
Refinish Hinge	R/L		.2	
R&I Gate Assy			1.5	
R&I Trim Panel			.2	
R&I Lock Cylinder			#.4	
#Includes R&I Trim Panel				
Add to R&R Rear Gate				
w/Wiper			.5	



002-00046

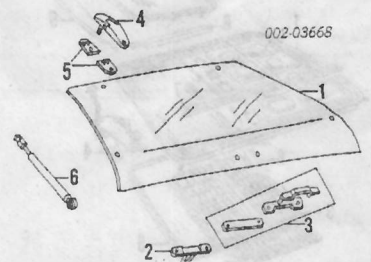
1 Gate, Rear		*F3DZ 7440010 A	3.5	561.23
Panel, Inside Trim		FCOZ 7440704 ABT	.3	d208.80
#Blue listed, Order by Application				
Nameplate (Adhesive)				
"Ford" Oval		F2DZ 7442528 A	.2	10.23
"Taurus"		F2DZ 7442528 B	.2	10.23
2 Rod, Support	R/L	E6DZ 74406A10 A	.2	70.07
3 Hinge	R/L	E6DZ 7442900 A	#.2	20.00
#w/Gate Removed				
4 Weatherstrip, Opening		F2DZ 74404A06 A	.6	56.23



002-04387

5 Latch				
w/Remote Release	92	F3DZ 7443150 A	#.3	30.67
	93-95	F3DZ 7443150 B	#.3	115.93
w/o Remote Release	92	F3DZ 7443150 A	#.3	30.67
	93-95	F3DZ 7443150 A	#.3	30.67
#w/Trim Panel Removed				
6 Striker, Latch	92	F1DZ 7440A42 A	.2	d7.12
	93-95	F3DZ 7440A42 A	.2	7.12
7 Rod, Latch Release				
w/Remote Release		F1DZ 7443329 A		d4.78
w/o Remote Release		E6DZ 7443329 A		4.17
8 Control, Latch Remote		E6DZ 7443170 A		14.72
9 Retainer, Cylinder		E7DZ 7422023 A		5.38
10 Pad, Cylinder		F3AZ 5443625 A		3.50
11 Cylinder, Lock				
Conventional Spare		F3DZ 7443505 B	#.2	29.51
Mini-Spare		F3DZ 7443505 A	#.2	29.51
#Includes Tailgate, Glove Box & Side Compt Locks				
#w/Trim Panel Removed				
12 Latch, Back Window-See Glass & Parts Section				

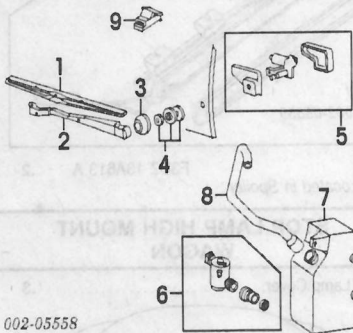
GLASS & PARTS



002-03668

1 Glass, Rear Gate			
Ford Clear Tinted w/Wiper Heated	E6DZ 7442006 B	1.0	d587.42
92-93 Heated	E6DZ 7442006 D	1.6	1379.43
94-95 Heated	F4DZ 7442006 A	1.6	1065.11
E6DZ 7442006 E	1.5	N.A.	
Non-Heated w/o Wiper Heated	92-93 E6DZ 7442006 A	1.1	826.78
94-95 Heated	F4DZ 7442006 B	1.1	802.72
E6DZ 7442006 C	1.0	1103.52	
Non-Heated			
NAGS			
Clear	DB06983CLN	1.0	N.A.
Green			
w/Wiper Heated w/Attach	92-93 DB06984GTY	1.6	N.A.
94-95 DB08445GTY	1.6	N.A.	
w/o Attach	92-93 DB06984GTY	1.6	1384.75
94-95 DB08445GTY	1.6	1069.20	
w/o Wiper Heated	92-93 DB06982GTN	1.1	829.95
94-95 DB08444GTN	1.1	805.80	
Non-Heated	DB06983GTN	1.0	1107.75
E6DZ 7440860 A			26.08
Latch, Back Window Moulding, Inside Garnish-See Roof Section			
2 Striker	E9DZ 7442148 A	#2	14.72
3 Handle, Outside			
w/Wiper	E6DZ 7444009 B	#2	24.43
w/o Wiper	E6DZ 7444009 A	#2	13.38
#R&R Complete			
4 Hinge	R/L E9DZ 74420A68-9 A	#2	98.67
#w/Glass Removed			
5 Pad, Hinge			
On Body	R/L E6DZ 7442842 B		4.17
On Glass	R/L E6DZ 7442842 A		8.33
6 Rod, Support	F4DZ 7442104 A	.2	37.54

WIPER SYSTEM



002-05558

1 Blade, Wiper	F8PZ 17528 NA	.1	7.95
2 Arm, Wiper	E6DZ 17526 B	#2	54.75
#Includes R&I/R&R Blade			
3 Cover, Output Arm	E8FZ 17C526 A		3.73
4 Seal Kit, Pivot Shaft	E7DZ 17A475 A		23.33
5 Motor, Wiper	F4DZ 17508 A	.5	202.27
6 Pump, Washer	E5TZ 17664 B		24.69
7 Reservoir, Washer	E6DZ 17618 C	#3	29.28
#w/Right Quarter Trim Panel Removed			
8 Hose, Filler	E6DZ 17632 B		113.33
9 Nozzle	E6DZ 17603 C		13.30

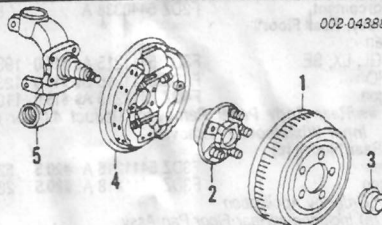
REAR SUSPENSION

R&I Suspension (One Side)	R/Lm	2.0
O/H Suspension (Includes R&I)		
One Side	R/Lm	2.6
Both Sides	m	5.1
Add to O/H Suspension w/Drum Brakes		
One Side	R/Lm	.2
Both Sides	m	.3
Adjust Four Wheel Alignment	m	1.8
Adjust Rear Alignment	m	1.0
Bleed Brake System w/ABS	m	.6
w/o ABS	m	.3
NOTE 1: R&I/R&R or O/H Does Not include alignment or bleed brake system.		
NOTE 2: Refer to Special Cautions Section at the beginning of this vehicle text.		
NOTE 3: All Parts in this section are included in overhaul unless noted otherwise.		

DRUM BRAKES

Illustration Located in Next Column

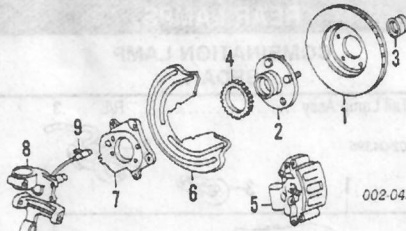
1 Drum, Brake	R/L F2DZ 1126 B	m #.4	85.00
Sedan	R/L F6SZ 1126 BA	m #.4	85.00
Wagon			
#R&R Both .6			



002-04388

2 Hub, Wheel			
w/ABS	92 R/L FODZ 1104 A	m #.8	88.07
	93-95 R/L YF1Z 1104 AB	m #.8	78.88
w/o ABS	92 R/L YF1Z 1104 BA	m #.7	78.88
	93-95 R/L YF1Z 1104 AB	m #.7	78.88
#Includes R&R Brake Drum			
3 Seal, Cap Grease			
	R/L F3DZ 1N135 A	m	3.67
4 Plate, Backing			
To 3-15-92			
9" Brakes	R/L E6DZ 2211-2 B	m #.8	100.58
10" Brakes	R/L E6DZ 2211-2 A	m #.8	102.55
From 3-15-92			
Sedan	R/L F2DZ 2211-2 B	m #.8	86.84
Wagon	R F2DZ 2211 A	m #.8	88.57
	L F2DZ 2212 A	m #.8	106.28
#w/Hub Removed Deduct .5			
Hose, Brake			
Sedan	R/L E7DZ 2282 B	m #.3	28.28
Wagon	R/L F1DZ 2282 A	m #.3	17.93
#w/Backing Plate Removed Deduct .2			
5 Spindle			
Sedan	R/L XF1Z 4A013 AB-AA	m #1.0	64.00
Wagon	R FODZ 4A013 D	m #1.0	203.80
	L FODZ 4A013 A	m #1.0	205.78
#Includes R&R Hub & Drum			

DISC BRAKES



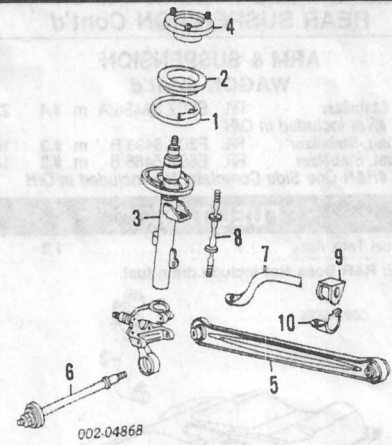
002-04390

1 Rotor, Brake			
	92 R/L FODZ 2C026 A	m #.6	85.00
	93-95 R/L F3DZ 2C026 A	m #.6	85.00
#R&R Both 1.0			
2 Hub, Wheel			
w/ABS	92 R/L FODZ 1104 A	m #.8	88.07
	93-95 R/L YF1Z 1104 AB	m #.8	78.88
w/o ABS	92 R/L YF1Z 1104 BA	m #.7	78.88
	93-95 R/L YF1Z 1104 AB	m #.7	78.88
#Includes R&R Rotor			
3 Seal, Cap Grease	R/L F3DZ 1N135 A	m	3.67
4 Indicator, ABS-See ABS/Brakes Section	92 R FOOY 2552 A	m #.5	185.39
	L FOOY 2553 A	m #.5	184.93
	93-95 R XF1Z 2552 AA	m #.5	68.00
	L XF1Z 2553 AA	m #.5	104.98
#R&R Both .8, w/Rotor Removed Deduct .4			
6 Shield, Splash	92 R/L F4ZZ 2C028 A	m #.2	6.25
	93-95 R/L F3DZ 2C028 A	m #.2	8.81
#w/Hub Removed			
7 Adapter, Axle Shaft	92 R FODZ 2C100 A	m	46.66
	L FODZ 2C101 A	m	46.42
	93-95 R F7DZ 2C100 AAm		24.52
	L F7DZ 2C101 AAm		22.25
8 Spindle	R/L XF1Z 4A013 AB-AA	m #1.0	64.00
Sedan	R FODZ 4A013 D	m #1.0	203.80
Wagon	L FODZ 4A013 A	m #1.0	205.78
#Includes R&R Rotor, Hub, Adapter & Splash Shield, R&R Both Sides 1.9			
9 Sensor, ABS-See Antilock Brake System Section			
Valve, Proportioning	E6DZ 2B547 A	m #.6	77.16
#Not Included in O/H			

ARM & SUSPENSION SEDAN

Illustration Located in Next Column

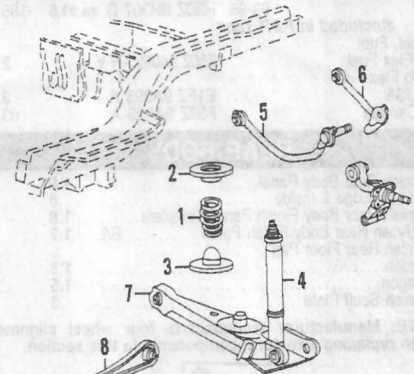
1 Spring, Coil	R/L F1DZ 5560 A	m #1.3	76.35
#Order by Spring Code			
2 Insulator, Spring	R/L E6DZ 5536 A	m #1.3	17.20
3 Strut Assy	R/L F7AZ 18125 PA	m #1.3	N.A.
#Order by Application			
4 Bracket, Shock Absorber	R/L F3DZ 18192 A	m #1.3	49.12
#R&R One Side Complete, R&R Both Sides 2.3, w/Spindle Removed Deduct .7			



002-04868

5 Arm, Control			
Front (2)	R/L E6DZ 5500 D	m #.7	47.55
Rear (2)			
Drum Brakes	R/L E6DZ 5500 F	m #.7	47.55
Disc Brakes	R/L E9DZ 5500 A	m #.7	89.71
#R&R Front & Rear One Side 1.0, w/Spindle Removed R&R Both One Side .4			
Bolt, Attaching	R/L N804348 S60		4.74
Nut, Bolt	R/L N800937 S193		1.74
6 Strut, Tension (2)	R/L E6DZ 5A952 B	m #.7	50.43
#R&R Both 1.0, w/Spindle Removed Deduct .5			
7 Bar, Stabilizer			
L, GL, LX, SE	E80Y 5A772 A	m #.8	138.18
SHO			
3.0L Eng	F2DZ 5A772 E	m #.8	128.97
3.2L Eng	F3DZ 5A772 A	m #.8	135.07
#Includes R&R Stab Links, Stab Bushings & Stab Brackets, Deduct .1 for Each Strut Assy Removed, Not Included in O/H			
8 Link, Stabilizer	R/L E6DZ 5A486 A	m #.4	23.88
L, GL, LX, SE	R/L E9DZ 5A486 A	m #.4	18.65
SHO			
#Not Included in O/H			
9 Bushing, Stabilizer	R/L E80Y 5493 A	m #.3	9.56
L, GL, LX, SE			
SHO			
3.0L Eng	R/L F2DZ 5493 C	m #.3	13.15
3.2L Eng	R/L F3DZ 5493 A	m #.3	20.63
10 Bracket, Stabilizer	R/L E6DZ 5486 C	m #.3	12.45
#R&R One Side Complete, Not Included in O/H			

ARM & SUSPENSION WAGON



002-04869

1 Spring, Coil	R/L F1DZ 5560 A	m #.8	76.35
#Order by Spring Code			
Insulator, Spring			
2 Upper	R/L E6DZ 5536 B	m #.8	16.78
3 Lower	R/L E6DZ 5K617 A	m #.8	9.53
#R&R One Side Complete, R&R Both Sides 1.4			
4 Strut	R/L F7AZ 18125 GA	m #.6	29.95
#Order by Application			
#R&R Both .7, w/Lower Control Arm Removed Deduct .3			
Arm, Control			
5 Upper Front	R E8DZ 5A923 B	m #.9	153.43
	L E8DZ 5A923 A	m #.9	156.90
6 Upper Rear	R/L F1DZ 5A927 B-Arm	#.9	140.87
#R&R Both One Side 1.0, w/Spindle Removed Deduct .6			
7 Lower	R E6DZ 5500 A	m #.9	364.43
	L E6DZ 5500 B	m #.9	504.99
#Includes R&R Spring, R&R Both Sides 1.6, w/Spindle Removed Deduct .5			
8 Strut, Tension (2)	R/L E6DZ 5A952 A	m #.7	85.07
#R&R Both 1.0, w/Spindle Removed Deduct .5			
Bar, Stabilizer	F2DZ 5A772 D	m #.8	155.78
#Includes R&R Stab Links, Stab Bushings & Stab Brackets, Deduct .1 for Each Lower Control Arm Removed, Not Included in O/H			

TAURUS 1992-95

REAR SUSPENSION Cont'd

ARM & SUSPENSION WAGON Cont'd

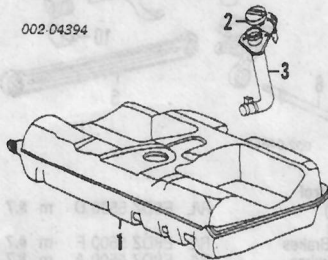
Link, Stabilizer	R/L	E6DZ 5A486 A	m #.4	23.88
<i>#Not Included in O/H</i>				
Bushing, Stabilizer	R/L	F2DZ 5493 B	m #.3	10.15
Bracket, Stabilizer	R/L	E6DZ 5486 B	m #.3	14.67
<i>#R&R One Side Complete, Not Included in O/H</i>				

FUEL TANK

R&I Fuel Tank Assy	1.3
--------------------	-----

NOTE: R&R Does Not include drain fuel.

002-04394

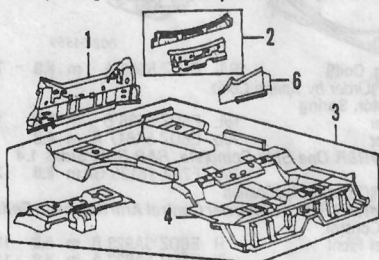


1 Tank				
16 Gal	F4DZ 9002 A	m #1.6	309.43	
18.6 Gal	F4DZ 9002 B	m #1.6	348.07	
20.9 Gal				
Flex Fuel Only	F3DZ 9002 AFFV	m #1.6	1000.07	
2 Cap, Filler	F4DZ 9030 A		12.18	
3 Pipe, Filler				
w/Flex Fuel	93 F3DZ 9034 AFFV	#.6	62.40	
	94-95 F4DZ 9034 AFFV	#.6	62.13	
w/o Flex Fuel	F3DZ 9034 A	#.6	49.40	
<i>#w/Tank Removed Deduct .4</i>				
Strap, Tank				
w/Flex Fuel	R F3DZ 9092 AFFV		35.00	
	L F3DZ 9092 BFFV		34.78	
w/o Flex Fuel	R F2DZ 9092 A		22.05	
	L F1DZ 9092 B		9.48	
Pump, Fuel				
w/Flex Fuel	93 F4DZ 9350 AFFV	m #1.6	1264.18	
	94-95 F4DZ 9350 AFFV	m #1.6	1264.18	
w/o Flex Fuel				
L, GL, LX, SE				
16 Gal Tank	F4DZ 9H307 A	m #1.6	185.77	
18.6 Gal Tank				
To 1-94				
w/Elect Inst Panel	F4DZ 9H307 B	m #1.6	185.77	
w/o Elect Inst Panel	F3DZ 9H307 E	m #1.6	177.31	
From 1-94				
w/Elect Inst Panel	F3DZ 9H307 E	m #1.6	177.31	
w/o Elect Inst Panel	F4DZ 9H307 B	m #1.6	185.77	
SHO	92 F3DZ 9H307 D	m #1.6	185.77	
	93-95 F3DZ 9H307 D	m #1.6	185.77	
<i>#Included in R&R Tank</i>				
Label, Fuel				
w/Flex Fuel	F3DZ 9A095 AFFV		2.84	
w/o Flex Fuel				
USA	E1FZ 9A095 A		3.04	
Canada	F37Z 9A095 A		d3.66	

REAR BODY

Refinish Rear Body Panel	1.0
Add for Edge & Inside	.8
Refinish Rear Body Finish Panel Complete	1.8
Refinish Rear Body Finish Panel	R/L 1.2
Refinish Rear Floor Pan	
Sedan	1.5
Wagon	1.5
Refinish Scuff Plate	.3

NOTE: Manufacturer recommends four wheel alignment when replacing structural components in this section.



002-04870

1 Panel, Rear Body	F2DZ 5440320 A	#6.5	135.93
<i>#Deduct 2.0 for Each Quarter Removed, Includes R&R Reinforcement & Latch Striker Bracket, Deduction Includes Common Surfaces & Included Operations</i>			
Panel, Rear Body Finish	R/L F2DZ 54423A42 A-B	#.6	63.67
<i>#Includes R&R/R&R Trim Panel, R&R Both 1.0</i>			
Plate, Scuff (P)	F2DZ 7411318 A	.2	12.85
<i>(P) Paint to Match</i>			

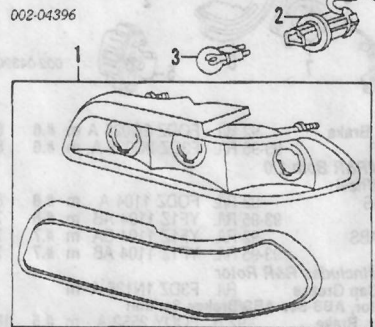
2 Reinforcement	F2DZ 5440338 A	82.12
3 Pan Assy, Rear Floor		
Sedan		
L, GL, LX, SE	F3DZ 5411215 As	#16.0 1987.90
SHO	F3DZ 5411215 Bs	#16.0 1231.38
Wagon	F4DZ 7411215 As	#16.0 1109.62
<i>#w/Rear Body Panel Removed, Deduct 4.0 for Each Inner Wheelhouse Removed</i>		
4 Pan, Rear Floor (a)		
Sedan	F3DZ 5411218 A	#20.5 529.17
Wagon	F3DZ 7411218 A	#20.5 281.07
<i>Order by Application</i>		
<i>(a) Included w/Rear Floor Pan Assy</i>		
<i>#w/Rear Body Panel Removed, Deduct 2.0 for Each Inner Wheelhouse Panel Removed, Time is to Section at Suspension Crossmember</i>		
Cover, Luggage Comp		
To 1-94	F2DZ 5445430 AAF	.2 208.55
From 1-94	F4DZ 5445430 AAF	.2 207.99
5 Crossmember, Rear Floor Rear		
Sedan	E64Y 5410780 A	77.43
Wagon	E6DZ 7410780 A	#8.5 391.48
<i>#Includes R&I Rear Bumper Assy & Rear Member Extensions, R&R Tail Lamp Assemblies, Striker & Scuff Plate, Pull Back Carpet & Trim, Deduct 2.0 for Each Quarter Panel Removed, Deduction Includes Common Surfaces & Included Operations</i>		
6 Extension, Rear Crossmember		
Wagon	R E6DZ 7410706 A	1.5 32.05
	L E6DZ 7410707 A	1.5 17.93
Guide, Impact Absorber	R/L F5OY 17C900 A	9.10
Rail, Rear Side		
Sedan	R/L E6DZ 54101A14-5 As	#6.0 350.68
<i>#Includes R&R Impact Absorber Guide, Rail must be Trimmed & Sectioned Behind Suspension Crossmember, Deduct .5 w/Rear Body Panel Removed, Deduct 3.0 w/Rear Floor Pan Removed</i>		
Wagon	R/L E6DZ 74101A14-5 As	#5.5 d372.78
<i>Included w/Rear Floor Pan Assy</i>		
<i>#Includes R&R Impact Absorber Guide, Rail must be Cut & Sectioned Behind Suspension Crossmember, Deduct 3.0 w/Rear Floor Pan Removed</i>		

REAR LAMPS

COMBINATION LAMP SEDAN

R&I Tail Lamp Assy	R/L	.3
--------------------	-----	----

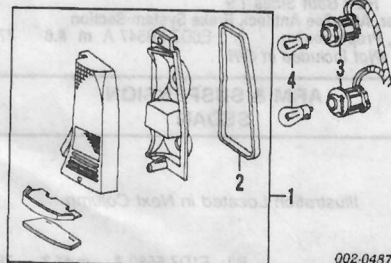
002-04396



1 Lamp Assy	R F3DZ 13404 A	.3	100.00
	L F3DZ 13405 A	.3	160.44
Seal, Lamp	R/L F2AZ 13A495 A		5.27
<i>Included w/Lamp Assy</i>			
2 Socket & Wire	R/L F2DZ 13410 A		31.66
3 Bulb			
Tail/Signal	R/L F5DZ 13466 C	#.3	2.22
Back-Up	R/L F5DZ 13466 B	#.3	3.13
Side Marker	R/L C2AZ 13466 C	#.3	.59
<i>#R&R One Side Complete, Included in R&R Lamp Assy</i>			

COMBINATION LAMP WAGON

R&I Tail Lamp Assy	R/L	.3
--------------------	-----	----



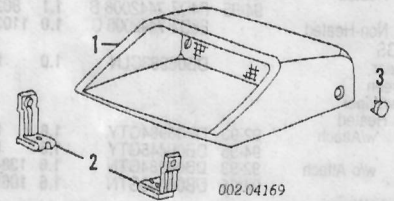
002-04871

1 Lamp Assy	R E9DZ 13404 B	.3	107.73
	L E9DZ 13405 B	.3	107.42
2 Seal, Lamp	R/L E6DZ 13A495 B		7.75
<i>Included w/Lamp Assy</i>			
3 Socket & Wire	R/L E8PZ 13411 C		10.92
Bulb, Tail/Signal	R/L F5DZ 13466 C	#.3	2.22
4 Bulb, Back-Up	R/L F5DZ 13466 B	#.3	3.13

#R&R One Side Complete, Included in R&R Lamp Assy

STOP LAMP HIGH MOUNT SEDAN PACKAGE TRAY MOUNTED

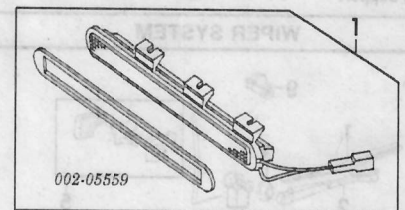
Refinish Lamp Assy	#.3
<i>#Includes Refinish Retainer Covers</i>	



002-04169

1 Lamp (P) (a)	F2DZ 13A613 A	.4	50.45
<i>(P) Paint to Match</i>			
<i>(a) Located on Package Tray</i>			
2 Bracket, Lamp	R/L F2DZ 13A621 A		4.25
3 Cover, Lamp Retainer (P)	R/L E6AZ 13B473 D		.87
<i>(P) Paint to Match</i>			
Bulb	92-94 D7TZ 13466 A	#.2	1.45
	95 E6DZ 13466 B	#.2	2.62
<i>#Included in R&R Lamp Assy</i>			

STOP LAMP HIGH MOUNT SEDAN SPOILER MOUNTED

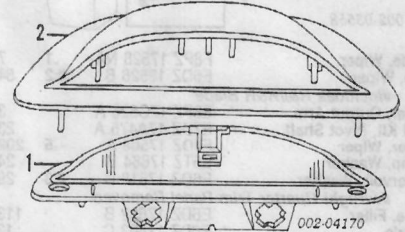


002-05559

1 Lamp	F3DZ 13A613 A	.2	131.85
<i>Located in Spoiler</i>			

STOP LAMP HIGH MOUNT WAGON

Refinish Lamp Cover	.3
---------------------	----

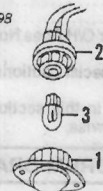


002-04170

1 Lamp			
w/Washer/Wiper	FODZ 13A613 B	.5	57.42
w/o Washer/Wiper	FODZ 13A613 A	.4	49.00
<i>Located on Rear Gate</i>			
2 Cover, Lamp (P)	E7DZ 13A656 A	#.4	39.68
<i>(P) Paint to Match</i>			
<i>#Included in R&R Lamp Assy</i>			
Bulb	R/L E6DZ 13466 B	#.2	2.62
<i>#R&R Complete, Included in R&R Lamp Assy</i>			

LICENSE LAMP SEDAN

002-04398



1 Lamp	R/L E8DZ 13550 A	.2	21.77
2 Socket & Wire	R/L E25Y 13410 B		21.65
3 Bulb	R/L C2AZ 13466 C	#.2	.59
<i>#Included in R&R Lamp Assy</i>			

LICENSE LAMP WAGON

Refinish Lamp Shield	.3
----------------------	----