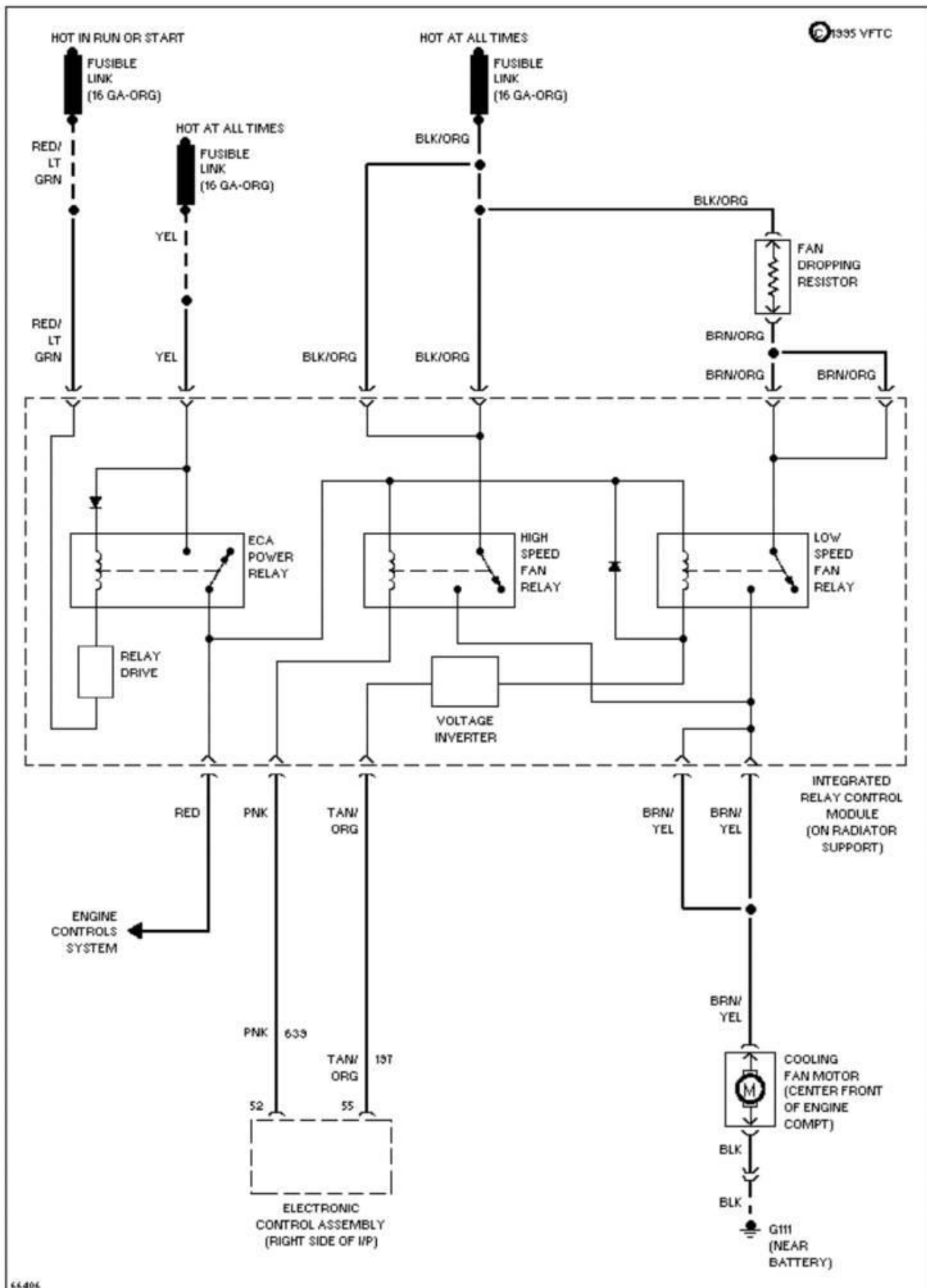


1986 System Wiring Diagrams  
Ford - Taurus

PAVLIN

Fig. 1: Cooling Fan Circuit  
1986 Ford Taurus LX

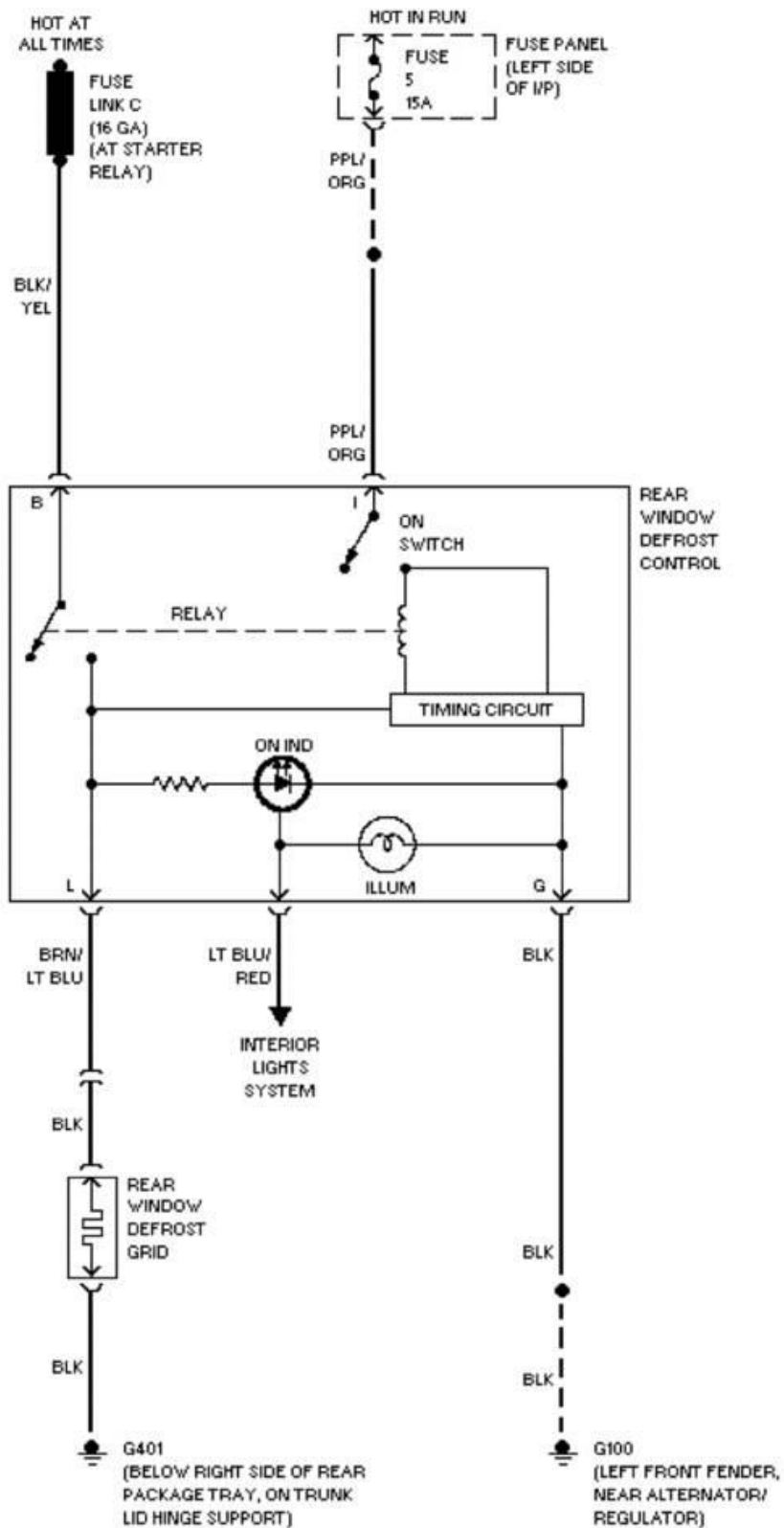


1986 System Wiring Diagrams  
Ford - Taurus

PAVLIN

Fig. 2: Defogger Circuit  
1986 Ford Taurus LX

© 1985 VFTC



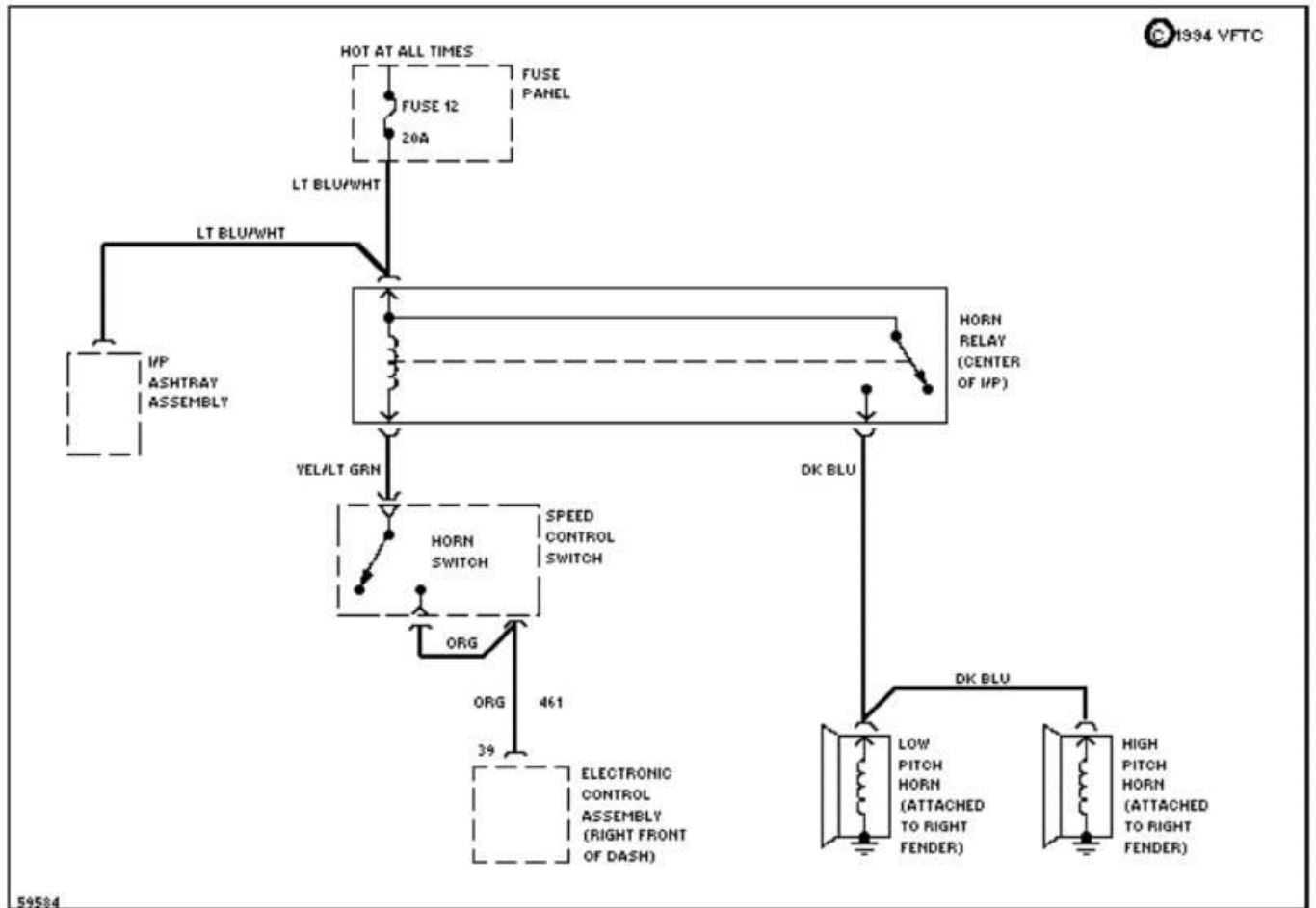
REAR WINDOW DEFROST CONTROL

6.96.20

1986 System Wiring Diagrams  
Ford - Taurus

PAVLIN

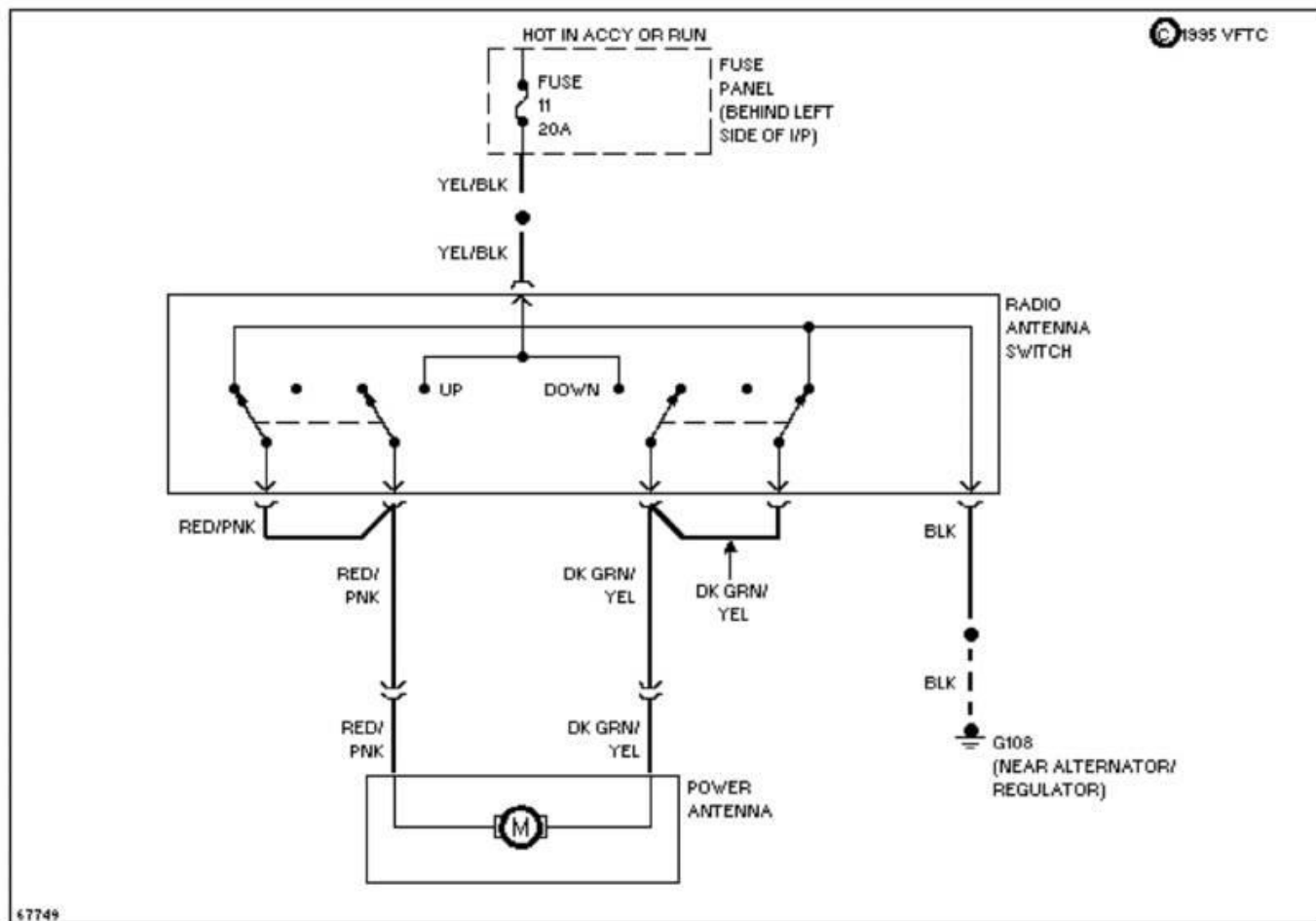
Fig. 3: Horn Circuit  
1986 Ford Taurus LX



1986 System Wiring Diagrams  
Ford - Taurus

PAVLIN

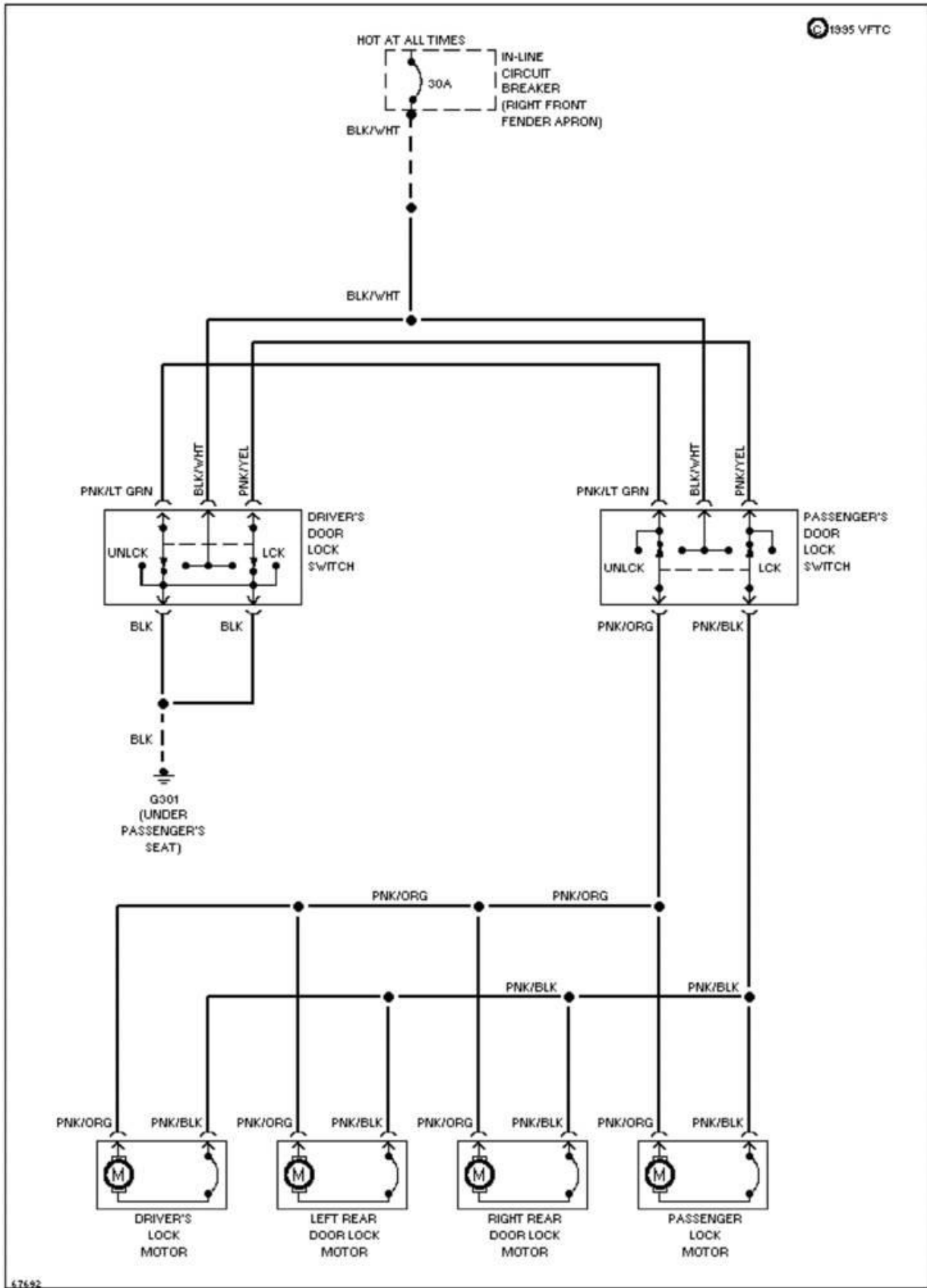
Fig. 4: Power Antenna Circuit  
1986 Ford Taurus LX



1986 System Wiring Diagrams  
Ford - Taurus

PAVLIN

Fig. 5: Power Door Lock Circuit  
1986 Ford Taurus LX

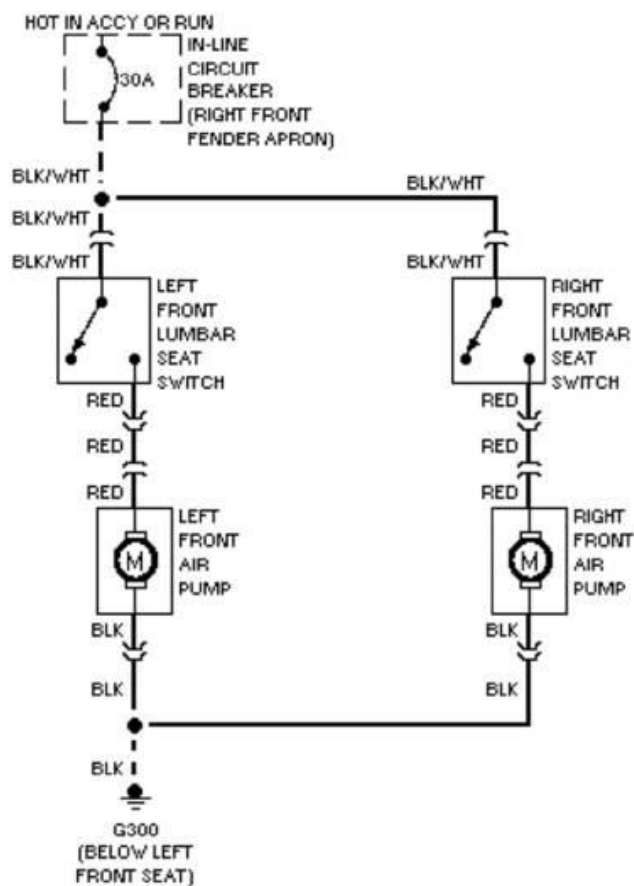




1986 System Wiring Diagrams  
Ford - Taurus

PAVLIN

Fig. 7: Lumbar Circuit  
1986 Ford Taurus LX

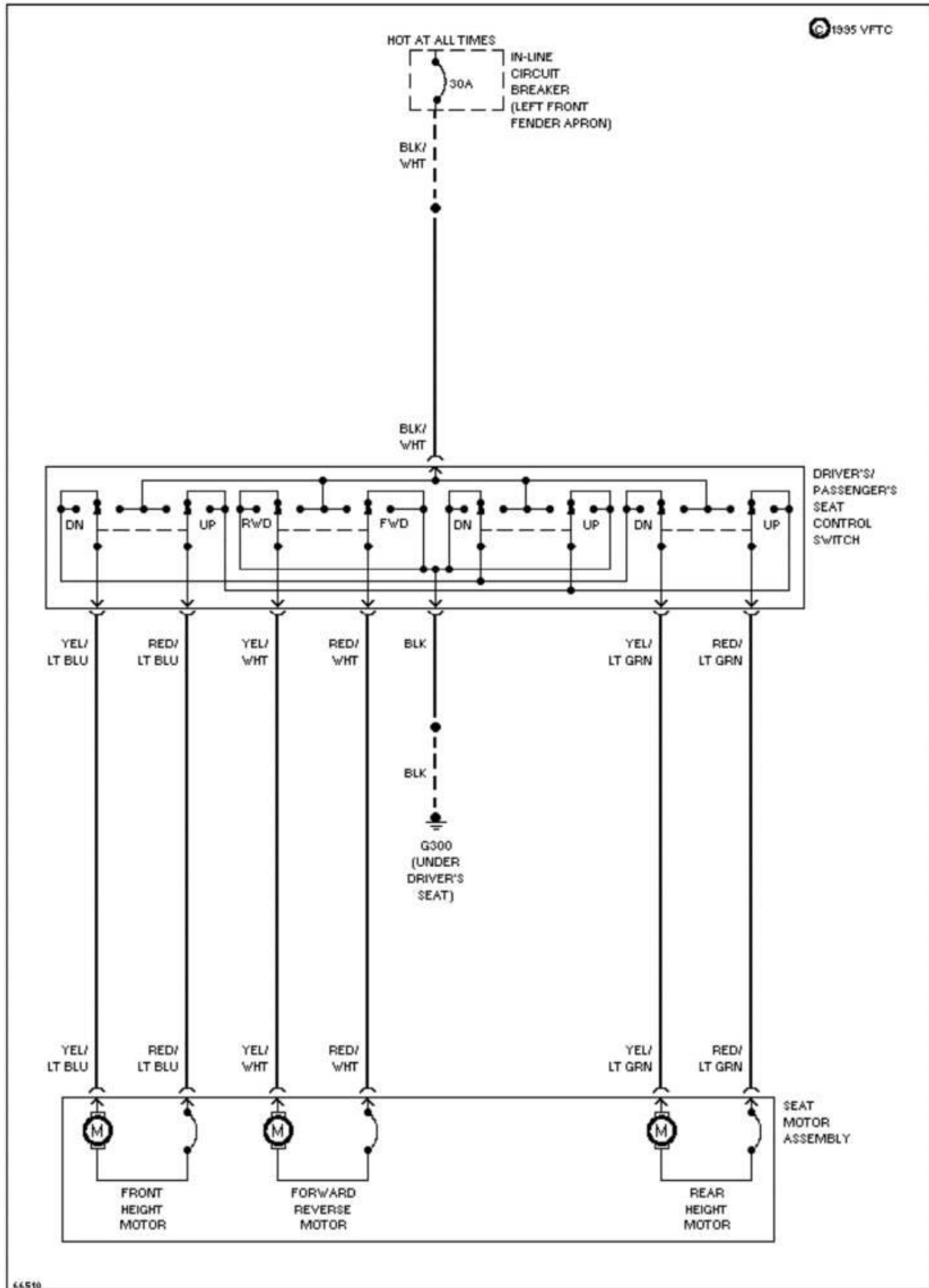


66509

1986 System Wiring Diagrams  
Ford - Taurus

PAVLIN

Fig. 8: Power Seat Circuit  
1986 Ford Taurus LX



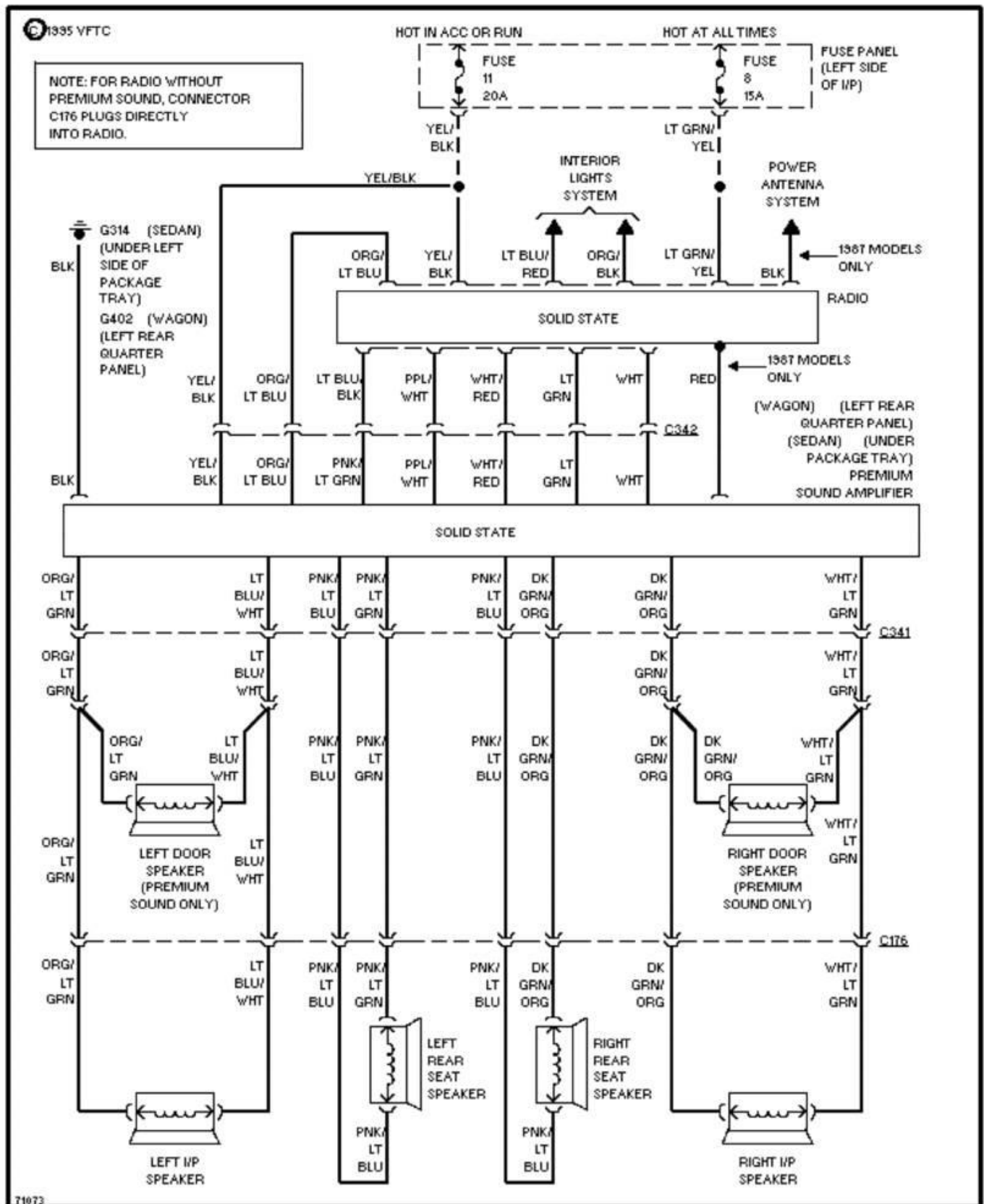




**1986 System Wiring Diagrams  
Ford - Taurus**

PAVLIN

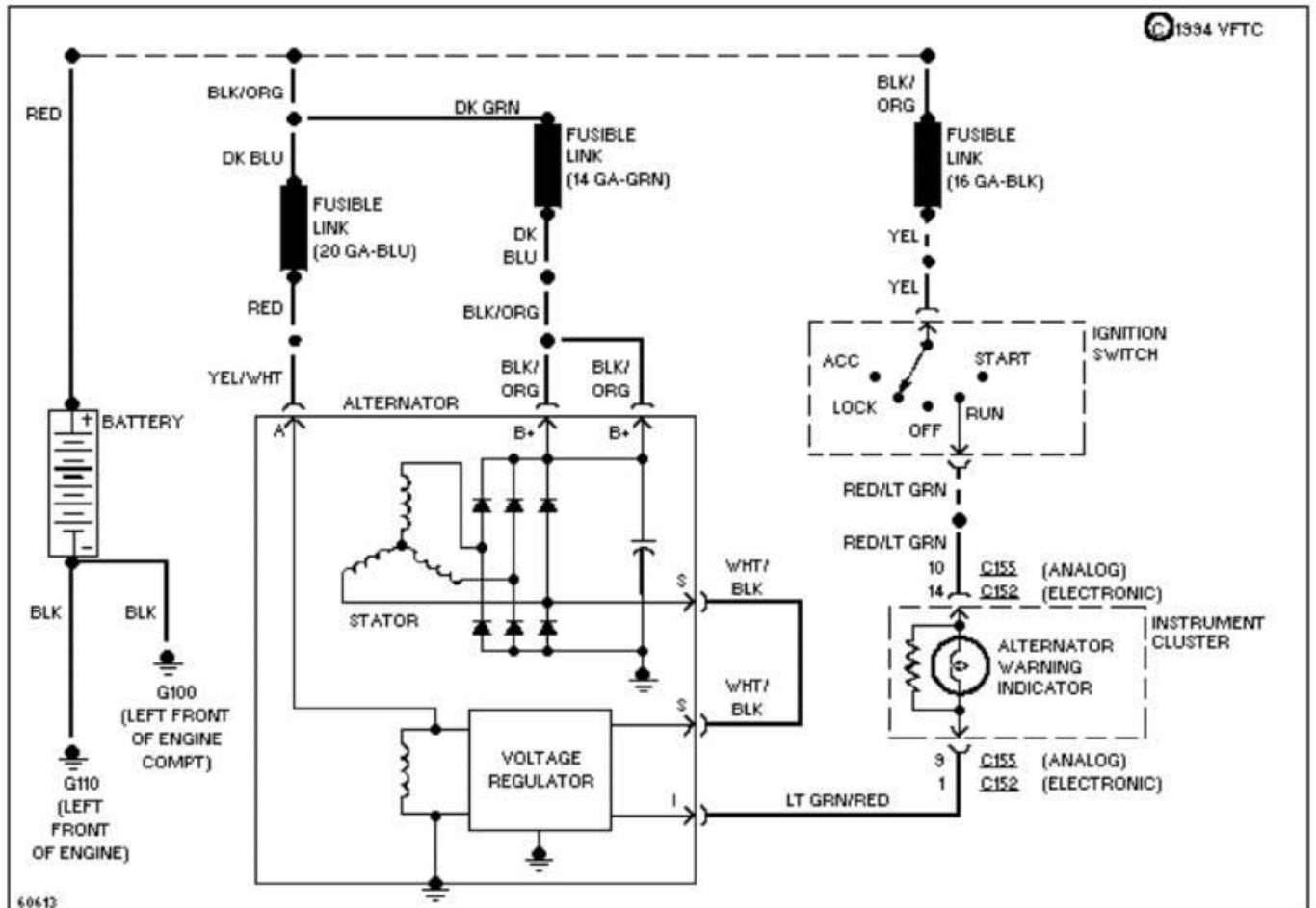
**Fig. 10: Radio Circuits**  
1986 Ford Taurus LX



**1986 System Wiring Diagrams  
Ford - Taurus**

PAVLIN

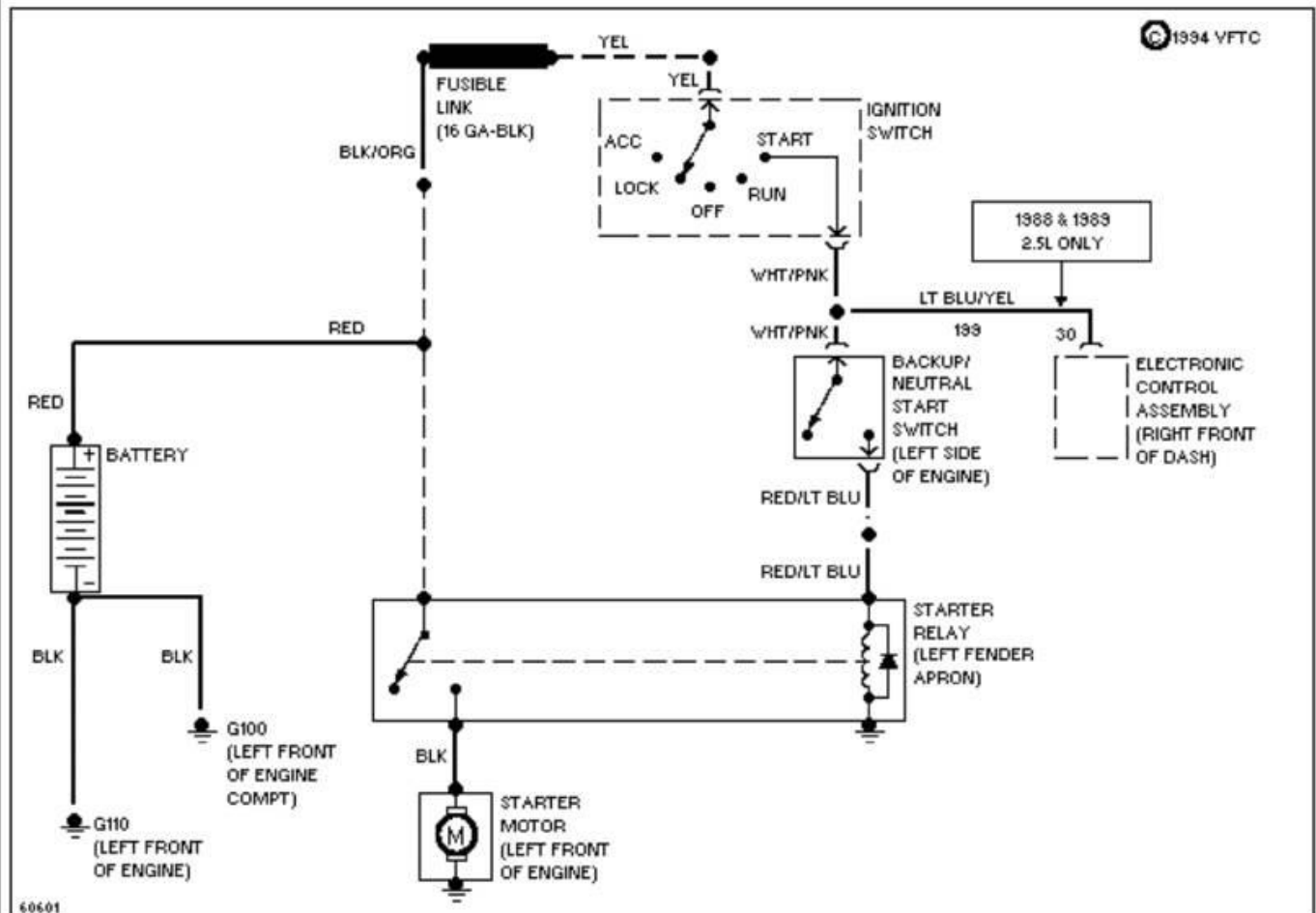
**Fig. 11: 2.5L, Charging Circuit**  
1986 Ford Taurus LX



1986 System Wiring Diagrams  
Ford - Taurus

PAVLIN

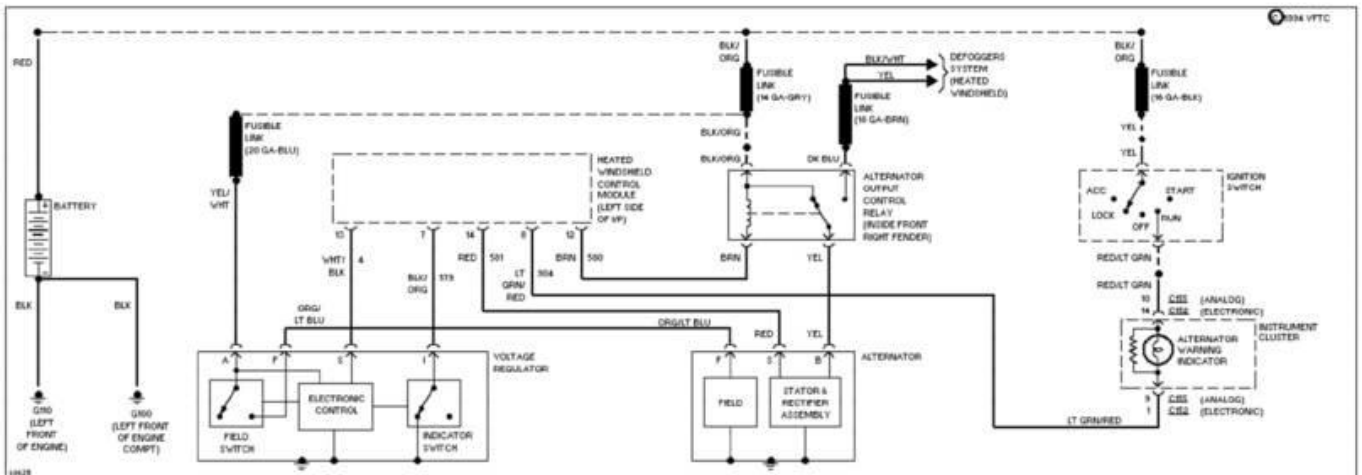
Fig. 12: Starting Circuit  
1986 Ford Taurus LX



**1986 System Wiring Diagrams  
Ford - Taurus**

**PAVLIN**

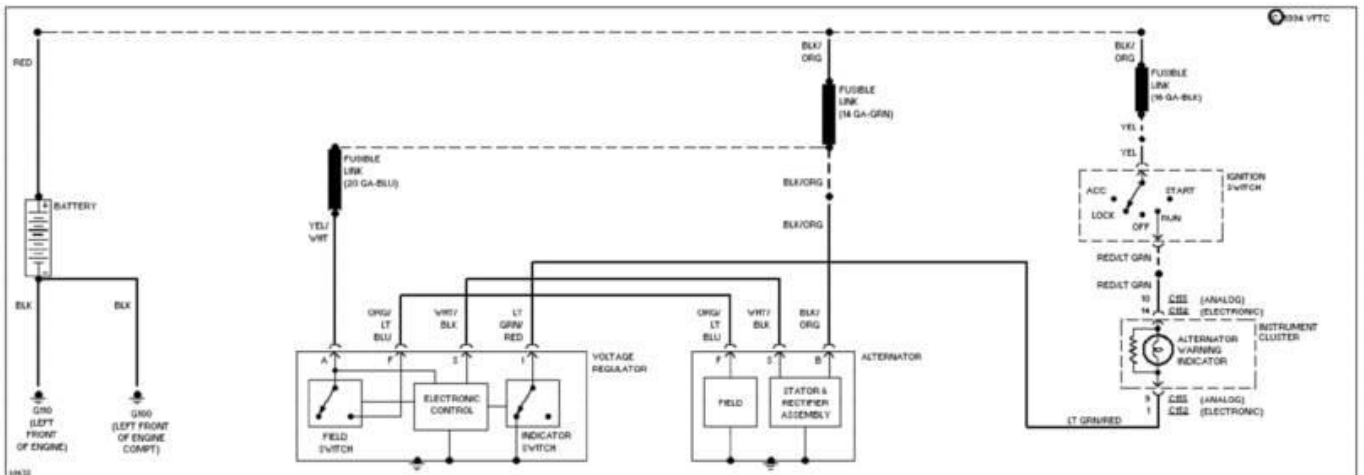
**Fig. 13: 3.0L, Charging Circuit, W/ Heated Windshield  
1986 Ford Taurus LX**



1986 System Wiring Diagrams  
Ford - Taurus

PAVLIN

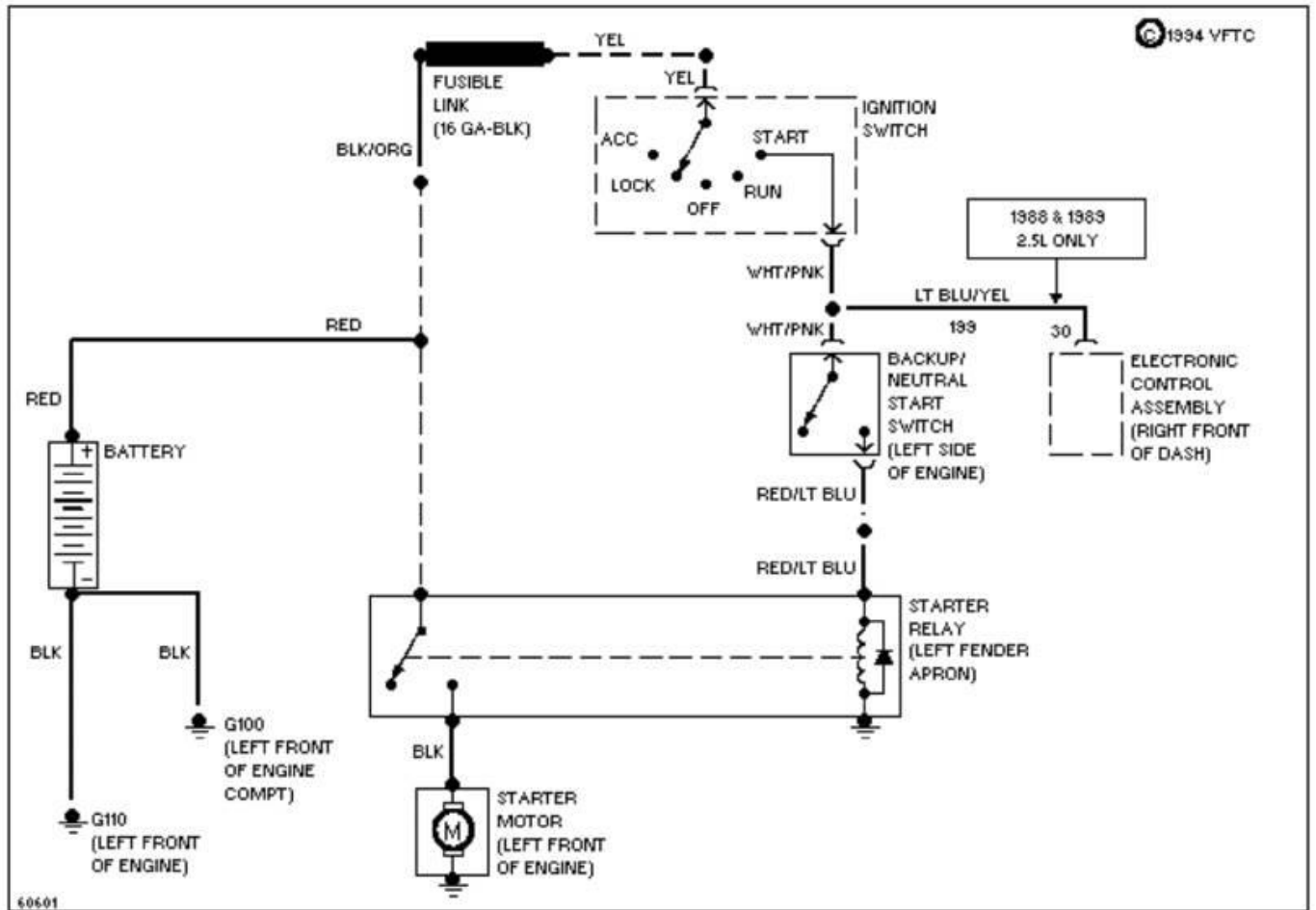
Fig. 14: 3.0L, Charging Circuit, W/O Heated Windshield  
1986 Ford Taurus LX



1986 System Wiring Diagrams  
Ford - Taurus

PAVLIN

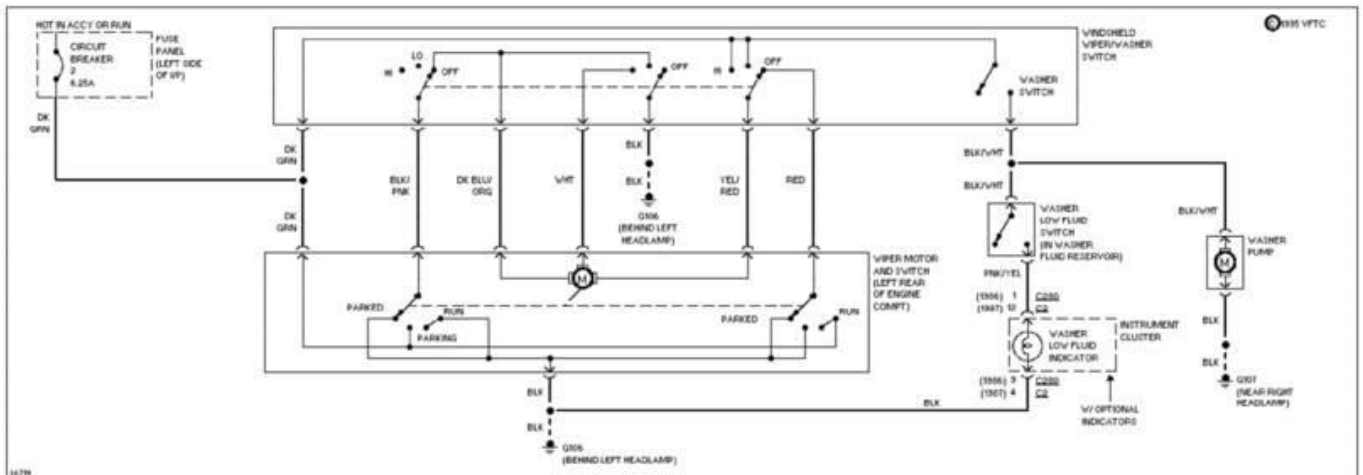
Fig. 15: Starting Circuit  
1986 Ford Taurus LX



1986 System Wiring Diagrams  
Ford - Taurus

PAVLIN

Fig. 16: 2-Speed Wiper/Washer Circuit  
1986 Ford Taurus LX

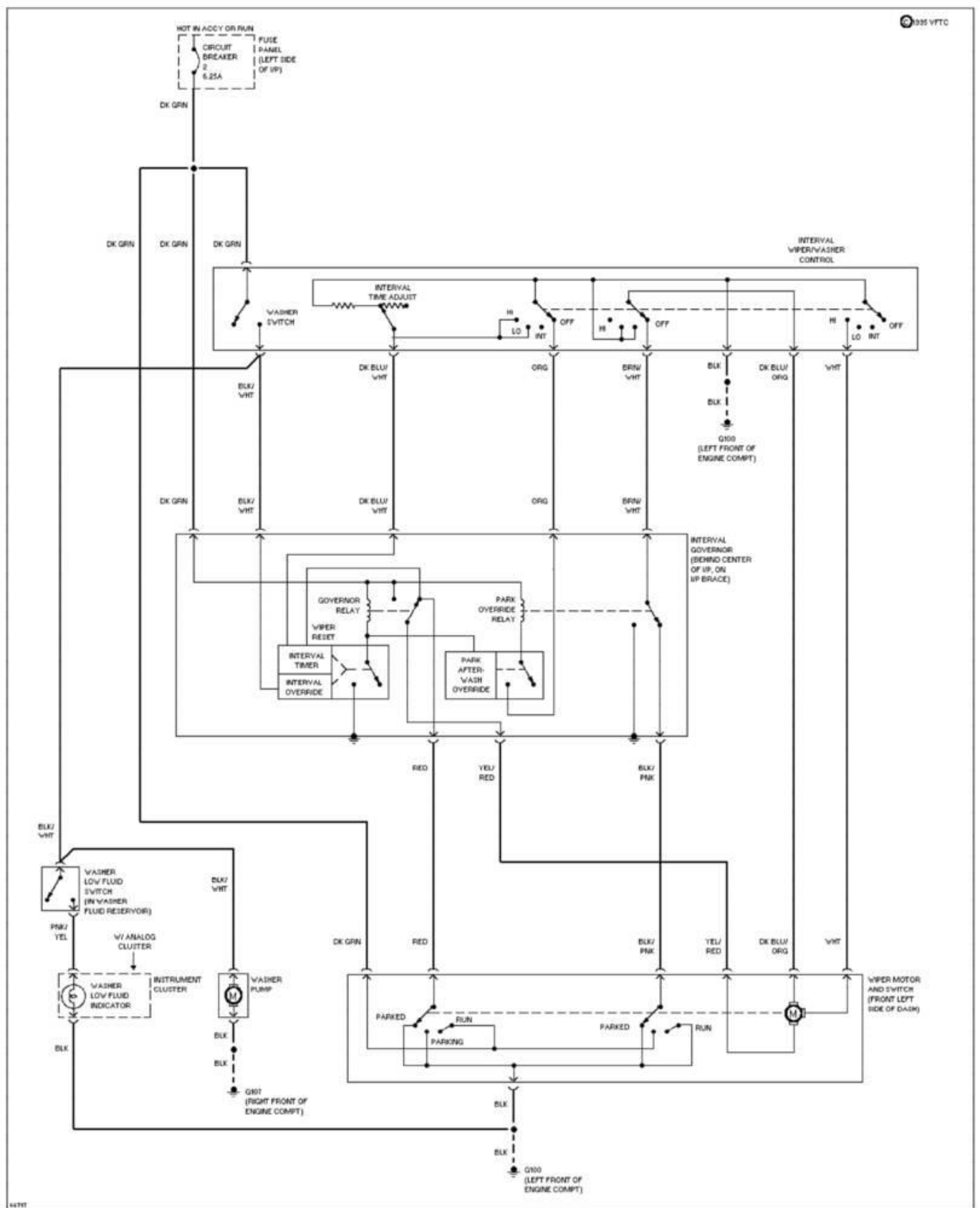




1986 System Wiring Diagrams  
Ford - Taurus

PAVLIN

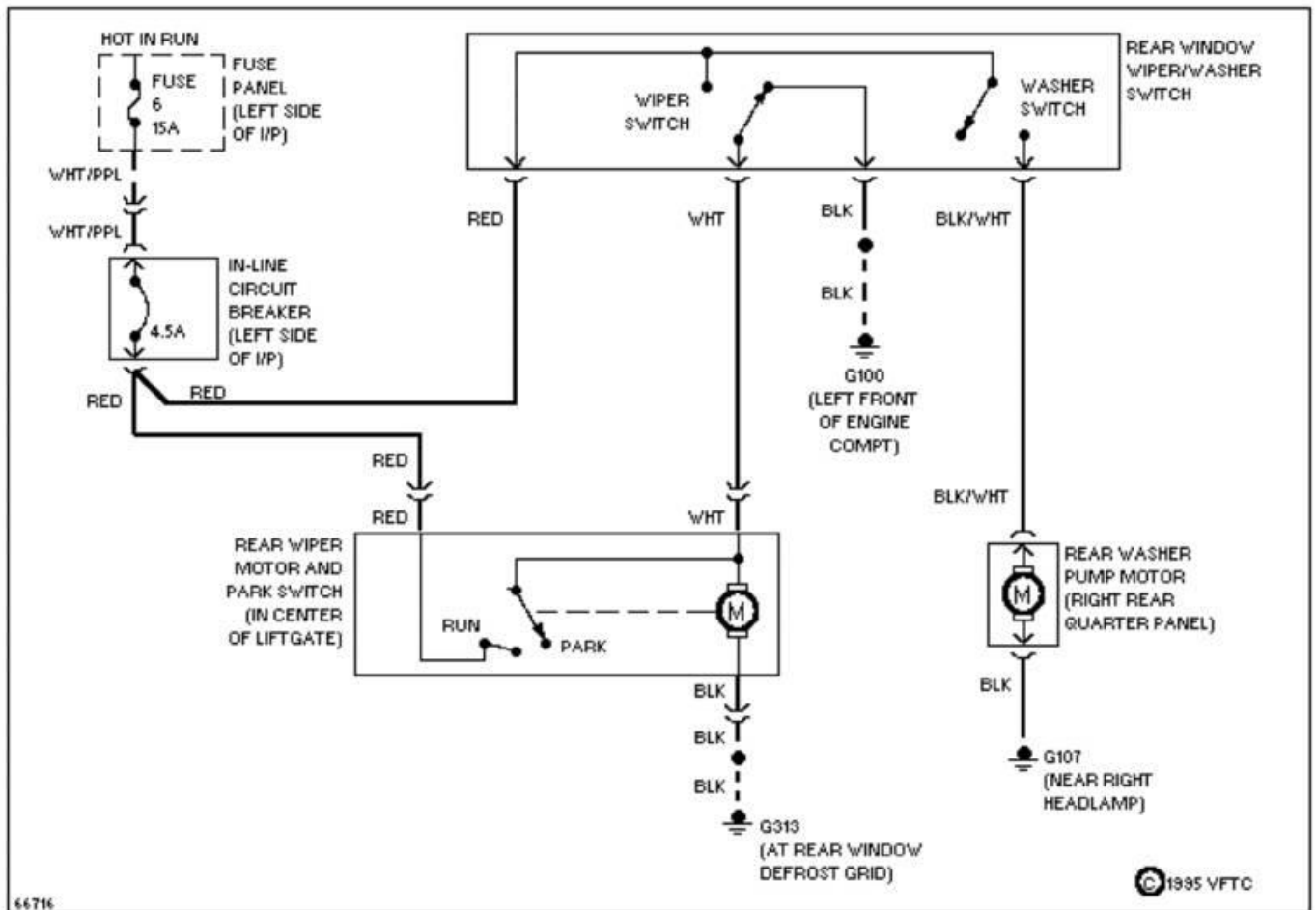
Fig. 17: Interval Wiper/Washer Circuit  
1986 Ford Taurus LX



1986 System Wiring Diagrams  
Ford - Taurus

PAVLIN

Fig. 18: Rear Wiper/Washer Circuit  
1986 Ford Taurus LX



# WIRING DIAGRAMS

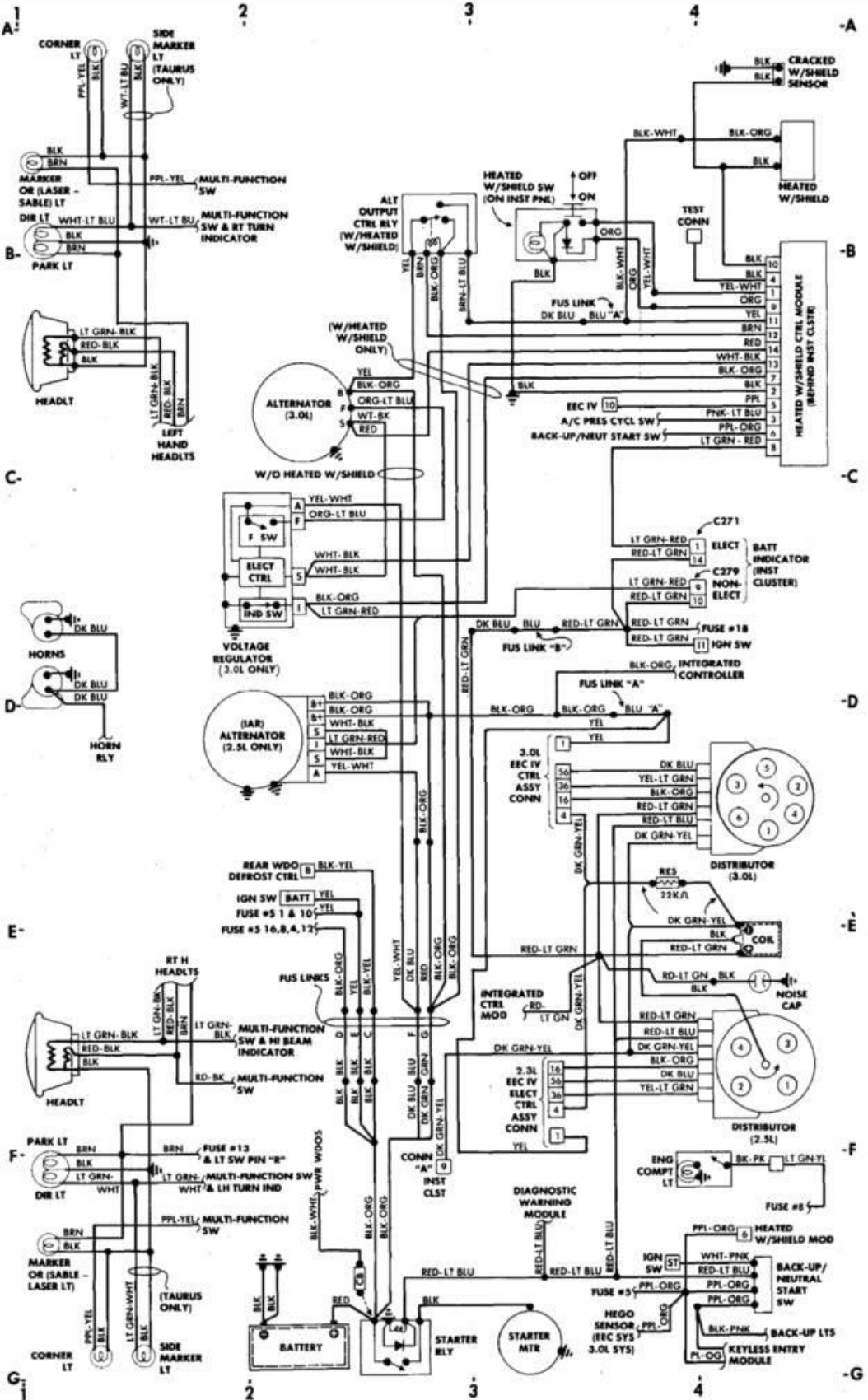
## 1986 Wiring Diagrams Ford Motor Co.

PAVLIN

Fig. 1: Engine Compartment  
1986 Ford Taurus LX

**COMPONENT LOCATOR:**

ALTERNATOR 2.5L	.....	D 2
ALTERNATOR 3.0L	.....	C 2
ALTERNATOR OUTPUT	.....	B 2
ANTENNA (SEE POWER ANTENNA)	.....	
AUTO LAMP SENSOR/AMPLIFIER	.....	D 22
AUTO LAMP RLY 1 & 2	.....	D 19
AUTO LAMP TIME CTRL SW	.....	D 22
AUTOMATIC TEMPERATURE CTRL SYS	.....	A-C 38-41
BACK-UP NEUTRAL START SW	.....	G 4
BATTERY	.....	G 2
CHIME (ELECTRONIC)	.....	C 30
CIGARETTE LIGHTER	.....	A 16
COIL	.....	E 4
COOLING FAN MTR 2.5L	.....	D-E 6
COOLING FAN MTR 3.0L	.....	D-E 11
CRUISE CONTROL (SEE SPEED CTRL) DIAGNOSTIC (LAMP-OUT) MODULE	.....	E-F 19
DIMMER SW (INST PNL)	.....	A 22
DIMMER SW (HEADLT)	.....	F 15-16
DISTRIBUTOR 2.5L	.....	F 4
DISTRIBUTOR 3.0L	.....	D 4
DOOR AJAR SW	.....	C-D 24
DOOR HANDLE SWS (KEYLESS ENTRY)	.....	C 19
DOOR LOCK SYSTEM	.....	B 29
DOOR SWITCHES (CTSY LT)	.....	C 23
DUAL BRAKE WARNING SW	.....	B 18
ELECTRONIC CONTROL ASSEMBLY (ECM) 2.5L	.....	B-E 9
ELECTRONIC CONTROL ASSEMBLY (ECM) 3.0L	.....	B-E 14
ELECTRONIC FLASHER	.....	E 15
FUEL GAUGE SENDER	.....	E 24
FUEL PUMP	.....	E 24
FUSE BLOCK	.....	D 16-17
FUSELINKS A & B	.....	D 3-4
FUSELINKS C,D,E,F,G	.....	E-F 2-3
HEATED WINDSHIELD CTRL MODULE	.....	B-C 4
HEATED W/SHIELD SW	.....	B 2-3
HEATER A/C SYSTEM (STANDARD)	.....	D-E 38-39
HORNS	.....	D 1
HORN RLY	.....	A 16
HORN SW	.....	F 37
IGNITION SW	.....	A 17-18
ILLUMINATED ENTRY TIMER	.....	B-C 19
INERTIA SW	.....	E-F 24
INTEGRATED CONTROLLER MODULE 2.5L	.....	C-E 5
INTEGRATED CONTROLLER MODULE 3.0L	.....	C-E 10
INSTRUMENT CLUSTER SW (ELECTRONIC)	.....	B 24
INSTRUMENT CLUSTER ELECT W/ WARNING IND	.....	A-E 27
INSTRUMENT CLUSTER MECHANICAL W/OUT WARN IND	.....	F 28
INSTRUMENT CLUSTER MECHANICAL W/ TACH, DIAGNOSTIC & WARNING IND	.....	B 28
KEYLESS ENTRY SYSTEM	.....	D 30
LCD DIMMING RLY	.....	C 21, A 24-25
LIFT GATE AJAR SW	.....	C-D 24
LIGHT SW	.....	A-21
LIGHTS COURTESY	.....	A-E 23
DOOR LOCK	.....	C 20
ENG COMPT	.....	F 4
FRONT INSTRUMENT	.....	A-G 1
REAR INSTRUMENT	.....	C 22
REAR	.....	A-G 42
LOW OIL LEVEL RLY	.....	F 25
MOONROOF SYS	.....	F 38
MULTI-FUNCTION SW	.....	F 15-17
OIL PRESSURE SW	.....	D-E 24
PARK BRAKE SW	.....	B 18
POWER ANTENNA MTR & SW	.....	D 32
POWER MIRROR SYS	.....	D 40-41
POWER SEAT SYS	.....	D-E 34
POWER WINDOW SYS	.....	B 33-36
REAR DEFOGGER CTRL	.....	B 30-31
REAR WIPER/WSHR SYS	.....	B-C 32
SPEED CTRL SYS	.....	F-G 36-37
STARTER & RLY	.....	G 3
STOP LT SW	.....	F 18
TEMP SENSOR (COOLANT)	.....	E 25
UPSHIFT DIMMER RLY	.....	G 24
WARNING BUZZER	.....	F 32
WIPER/WASHER SYS (INTERMITTENT)	.....	D-E 35-36
WIPER/WASHER SYS (STANDARD)	.....	A-B 37



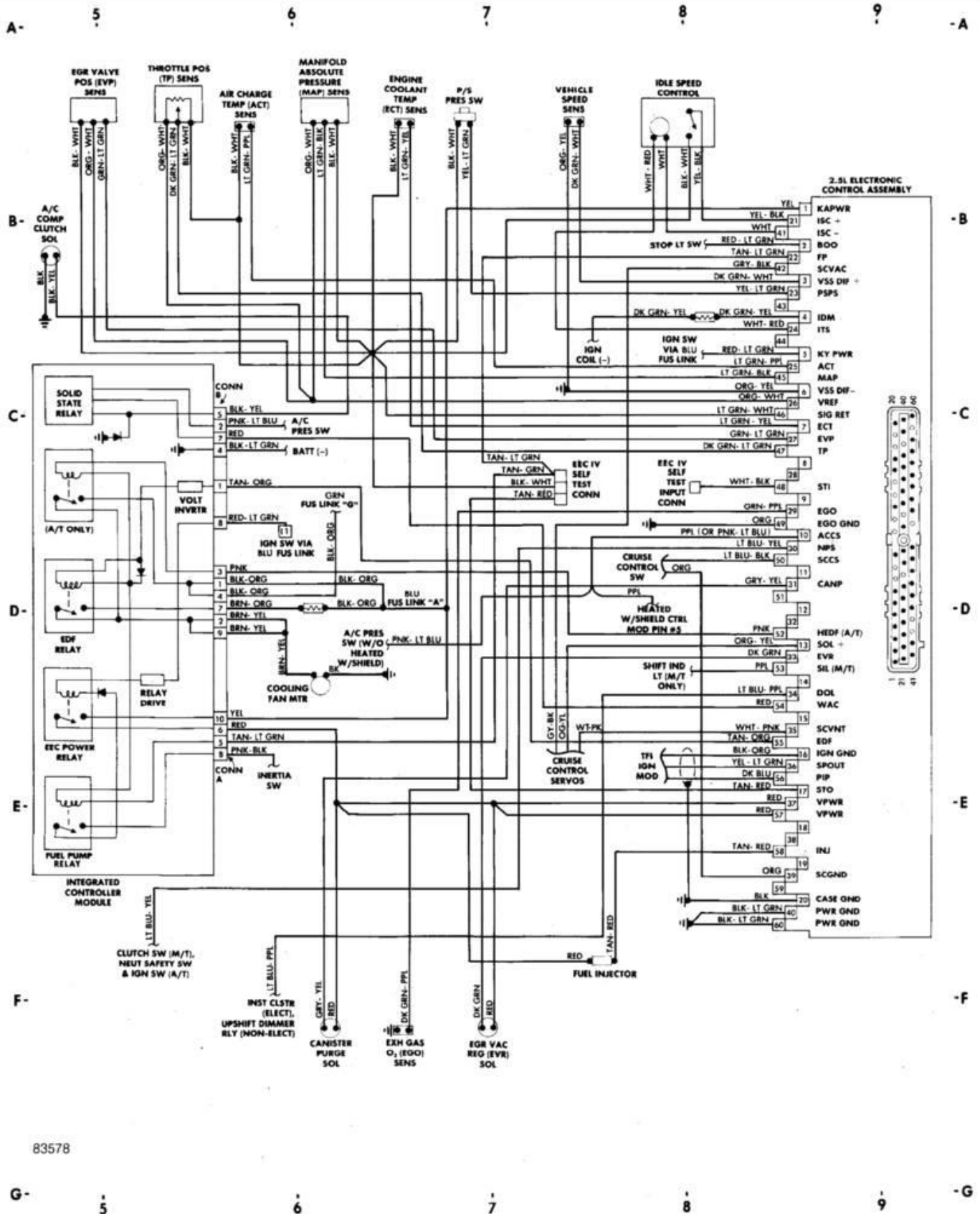
83577

# WIRING DIAGRAMS

## 1986 Wiring Diagrams Ford Motor Co.

PAVLIN

Fig. 2: Engine Compartment (Cont.)  
1986 Ford Taurus LX



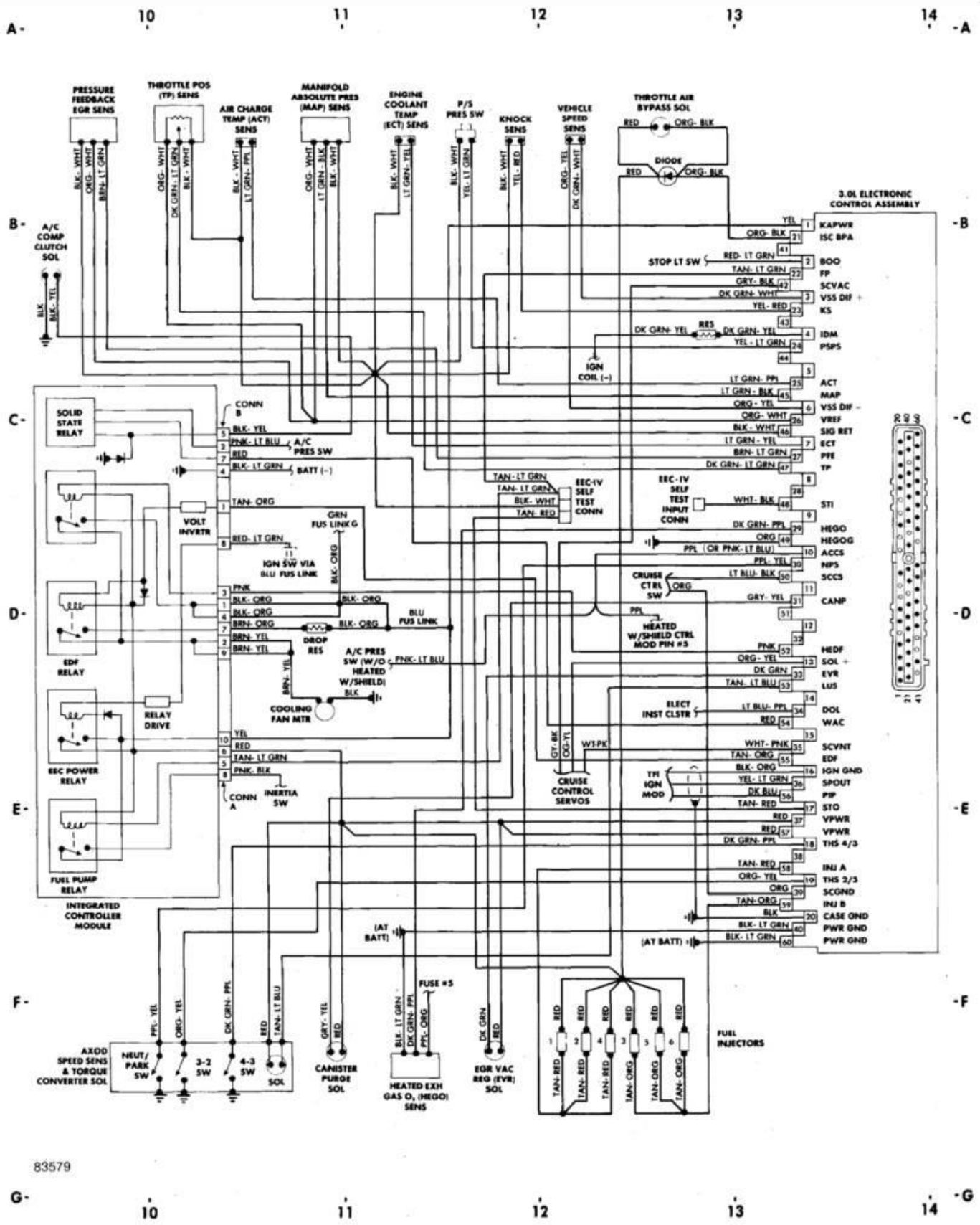
83578

# WIRING DIAGRAMS

## 1986 Wiring Diagrams Ford Motor Co.

PAVLIN

Fig. 3: Engine Compartment (Cont.)  
1986 Ford Taurus LX



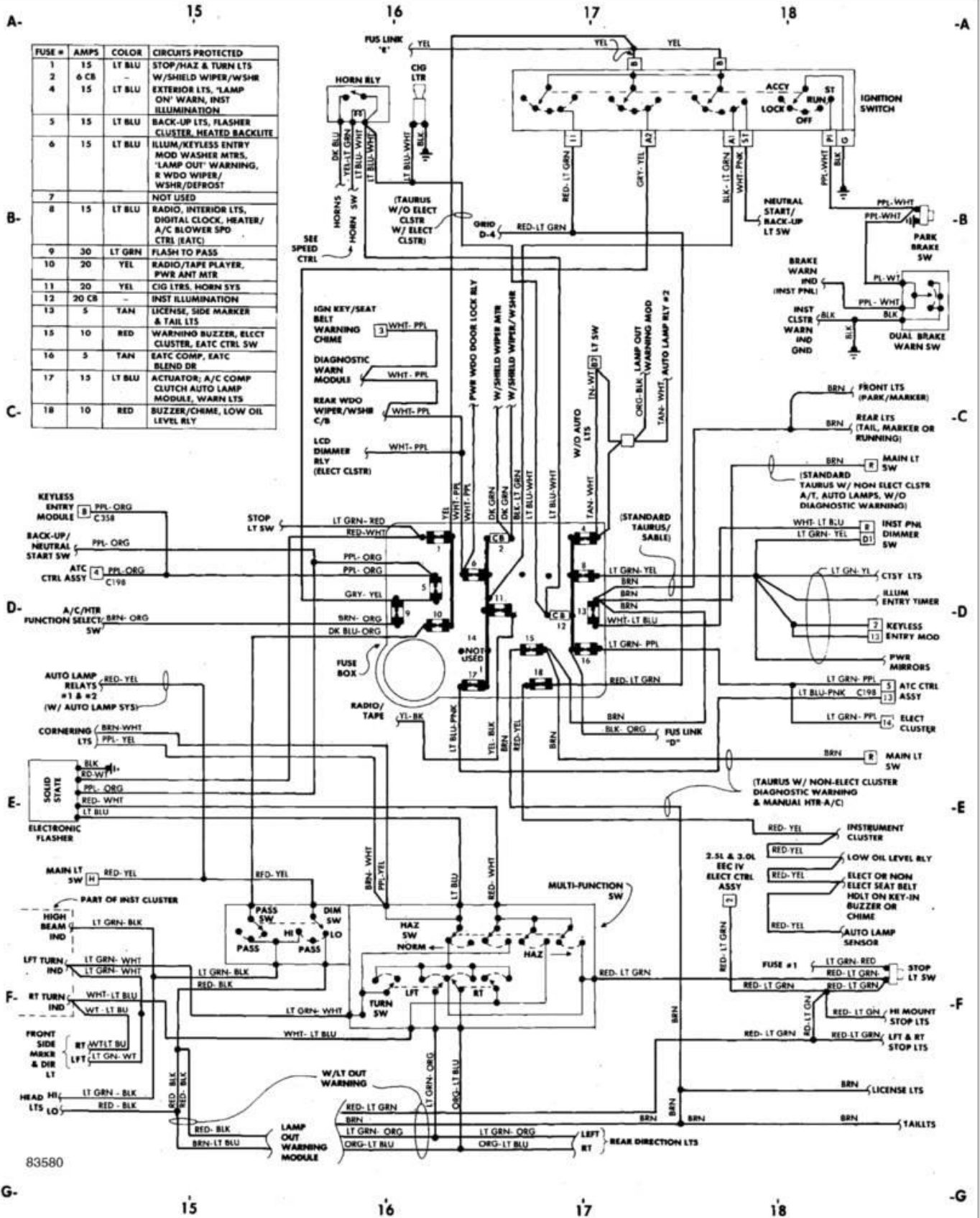
83579

# WIRING DIAGRAMS

## 1986 Wiring Diagrams Ford Motor Co.

PAVLIN

Fig. 4: Instrument Panel & Underdash  
1986 Ford Taurus LX

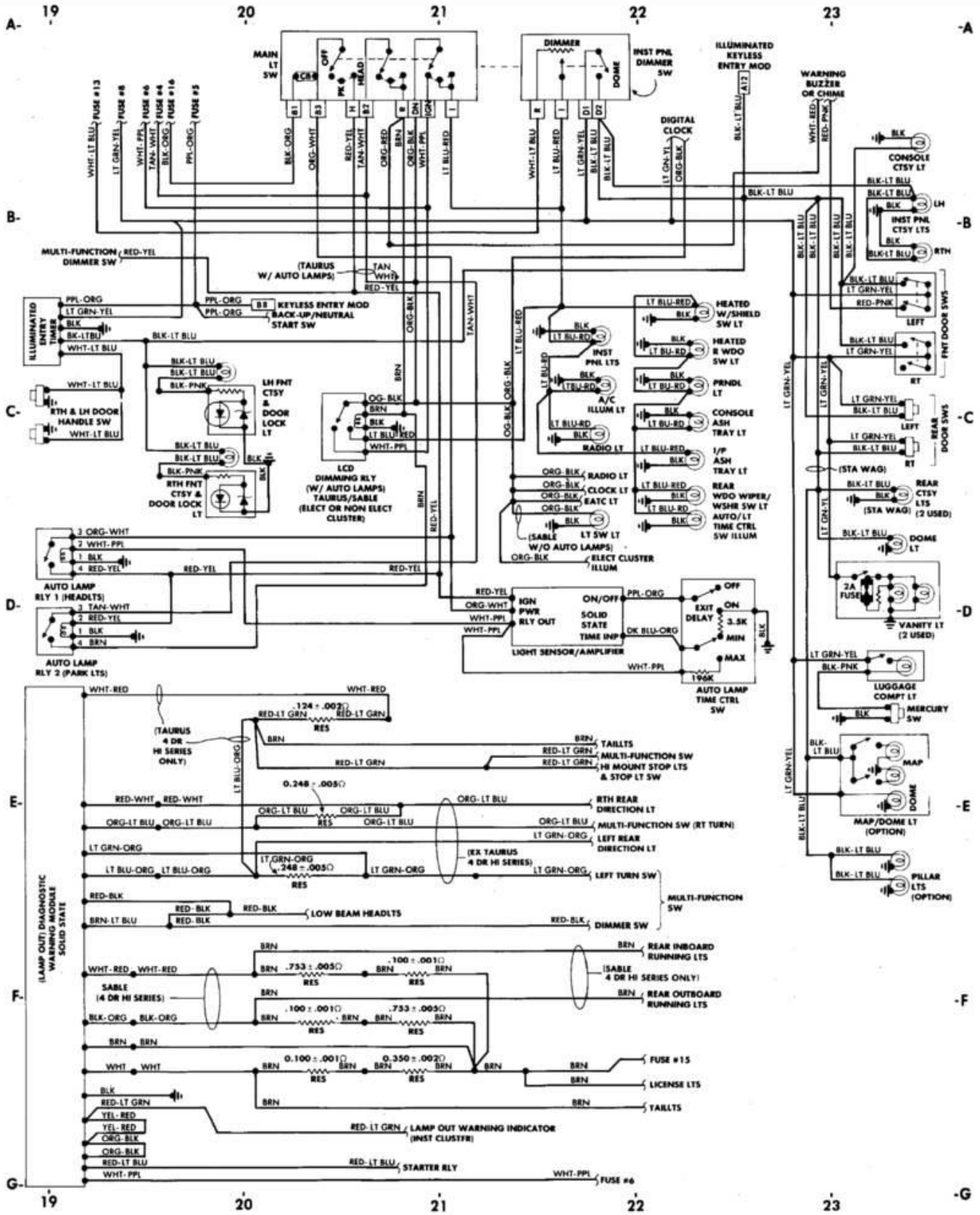


# WIRING DIAGRAMS

## 1986 Wiring Diagrams Ford Motor Co.

PAVLIN

Fig. 5: Instrument Panel & Underdash (Cont.)  
1986 Ford Taurus LX



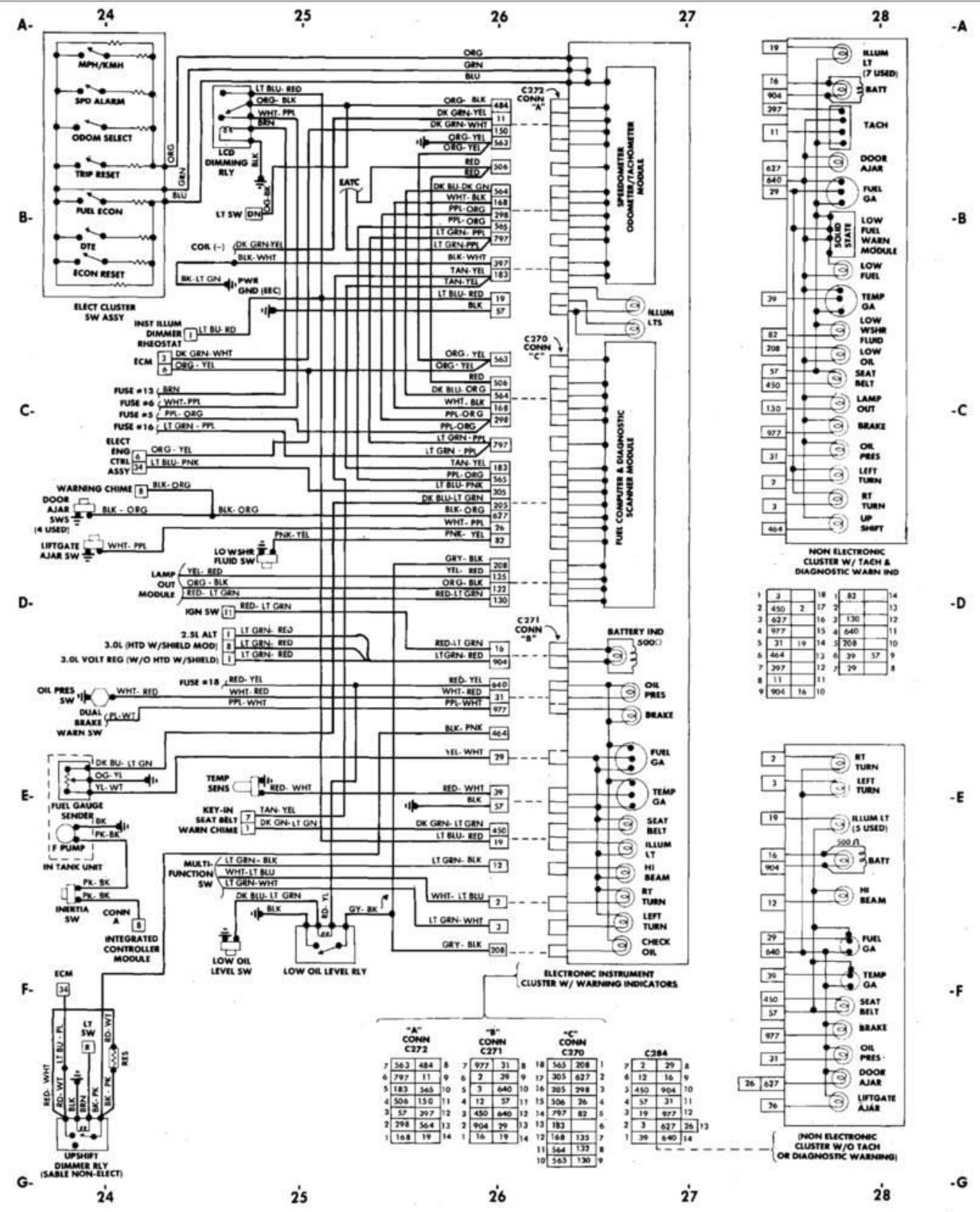
83581

# WIRING DIAGRAMS

## 1986 Wiring Diagrams Ford Motor Co.

PAVLIN

Fig. 6: Instrument Panel (Cont.)  
1986 Ford Taurus LX



83582

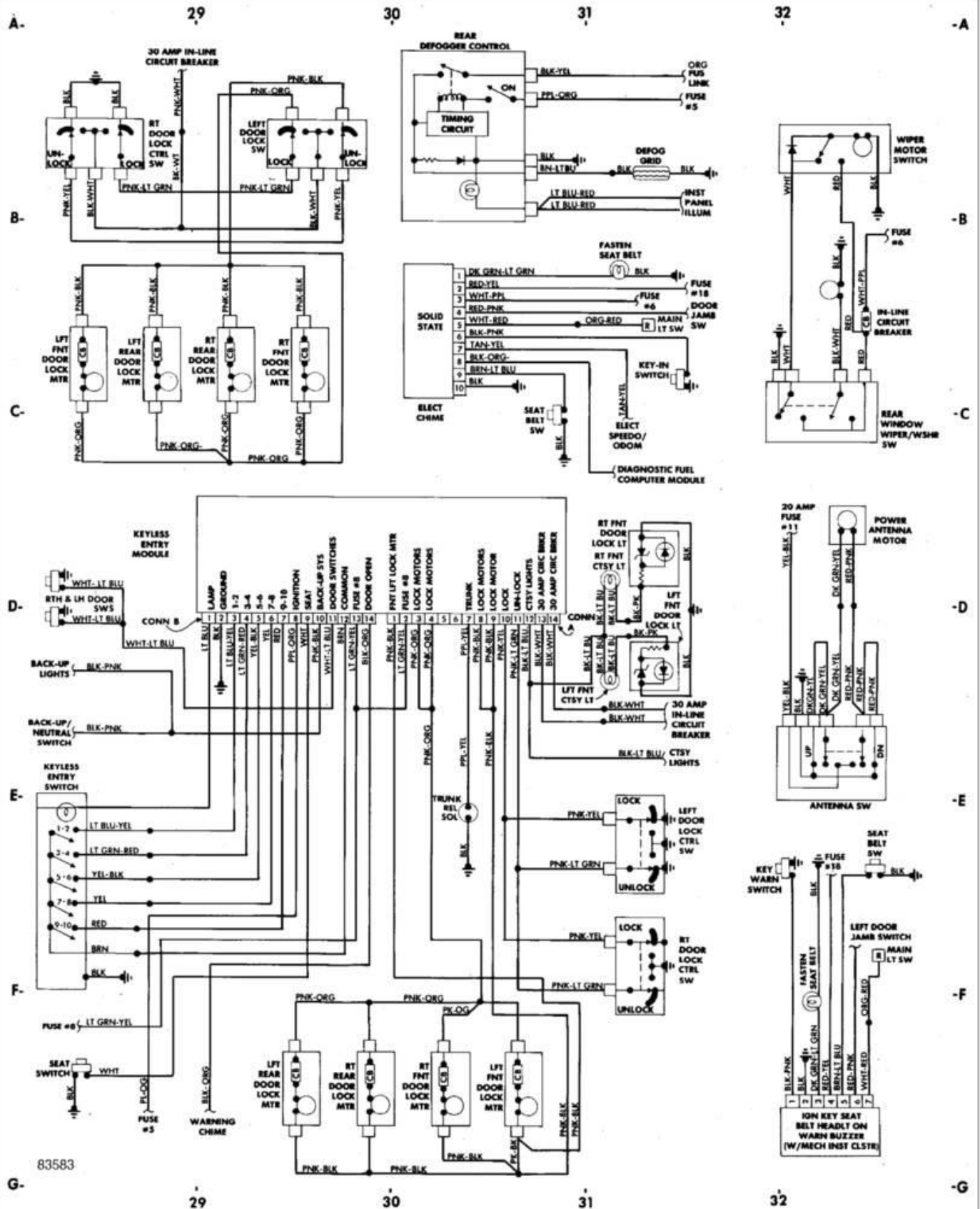


# WIRING DIAGRAMS

## 1986 Wiring Diagrams Ford Motor Co.

PAVLIN

Fig. 7: Accessories  
1986 Ford Taurus LX

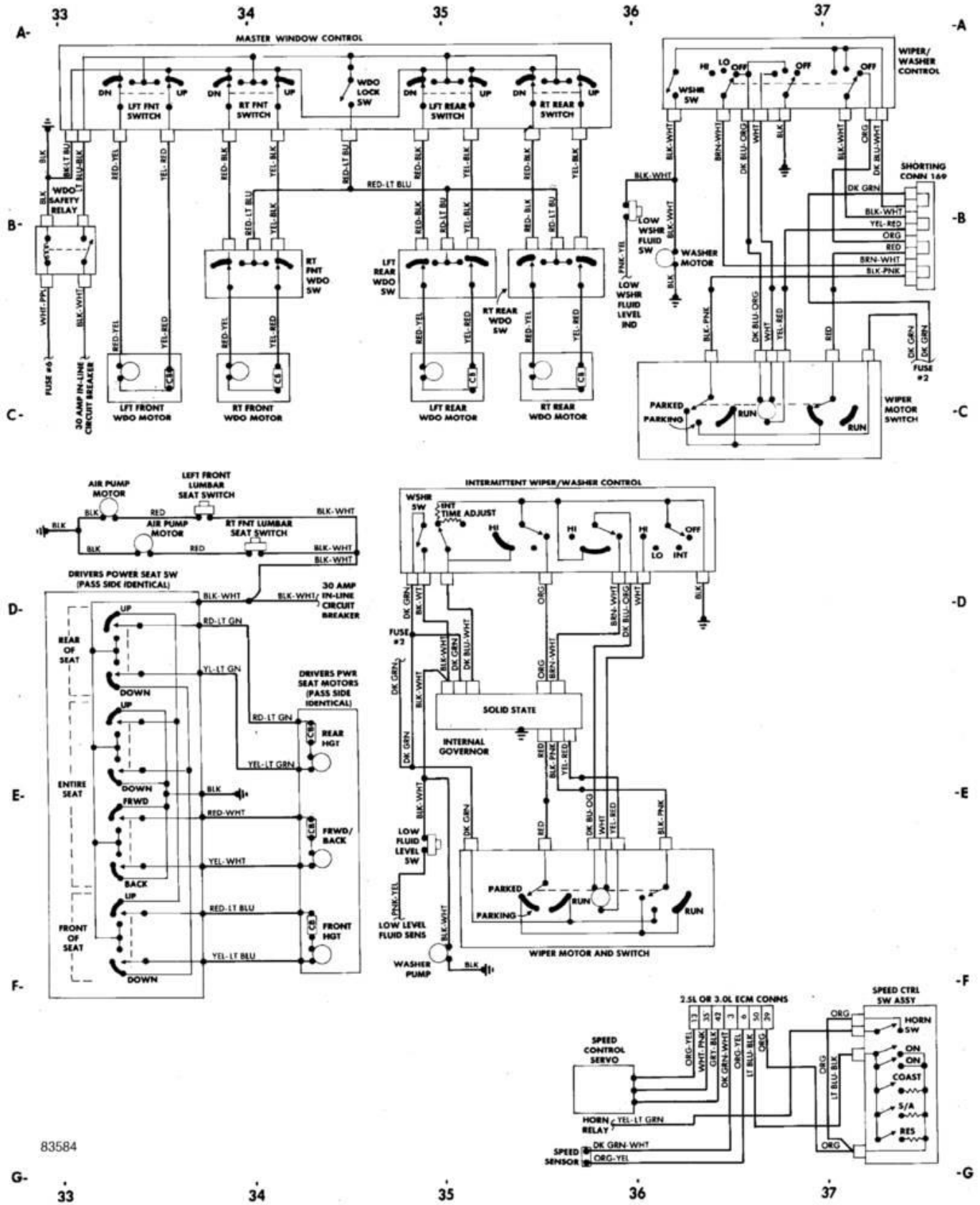


# WIRING DIAGRAMS

## 1986 Wiring Diagrams Ford Motor Co.

PAVLIN

Fig. 8: Accessories (Cont.)  
1986 Ford Taurus LX



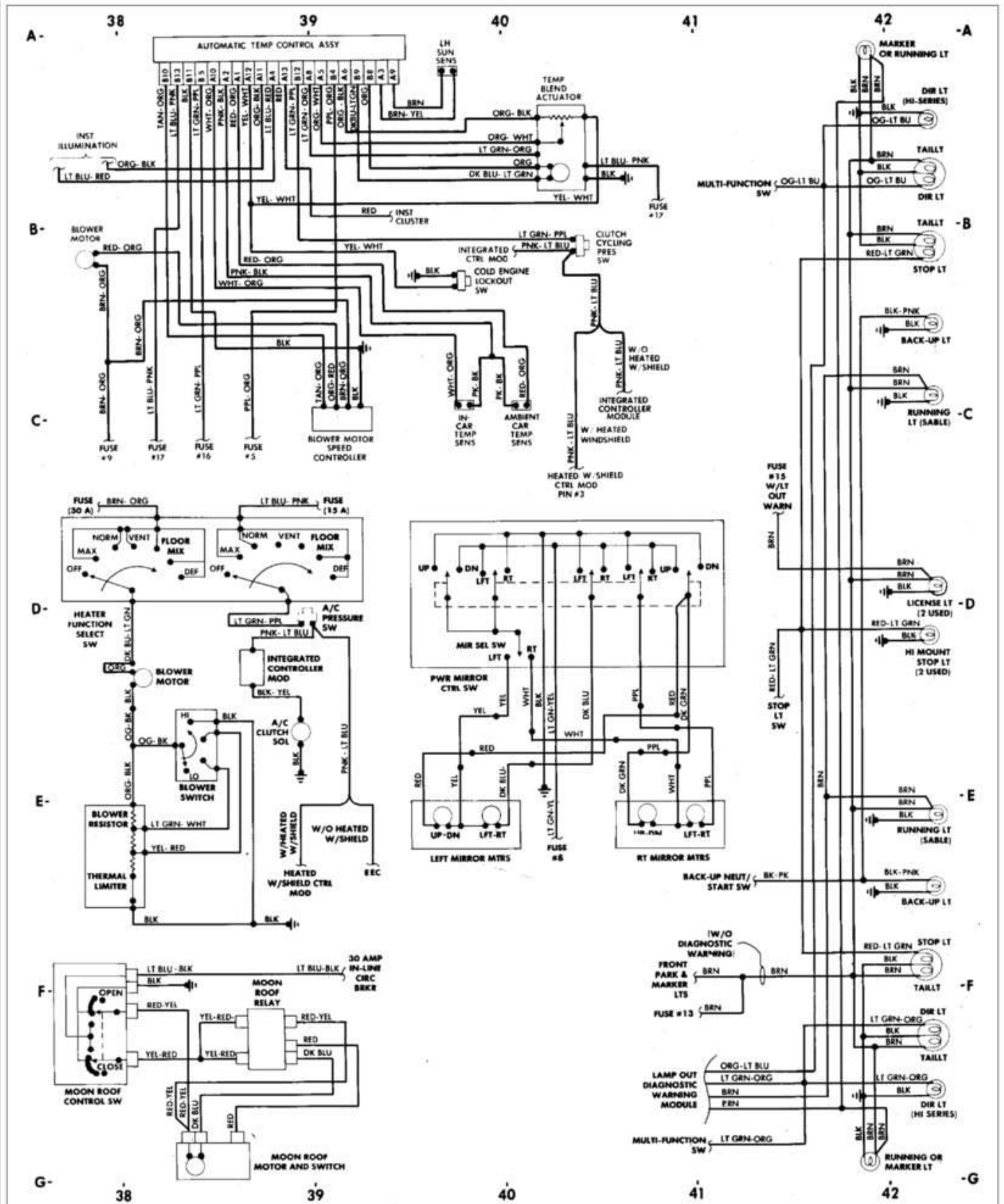
83584

# WIRING DIAGRAMS

## 1986 Wiring Diagrams Ford Motor Co.

PAVLIN

Fig. 9: Rear Compartment & Accessories  
1986 Ford Taurus LX

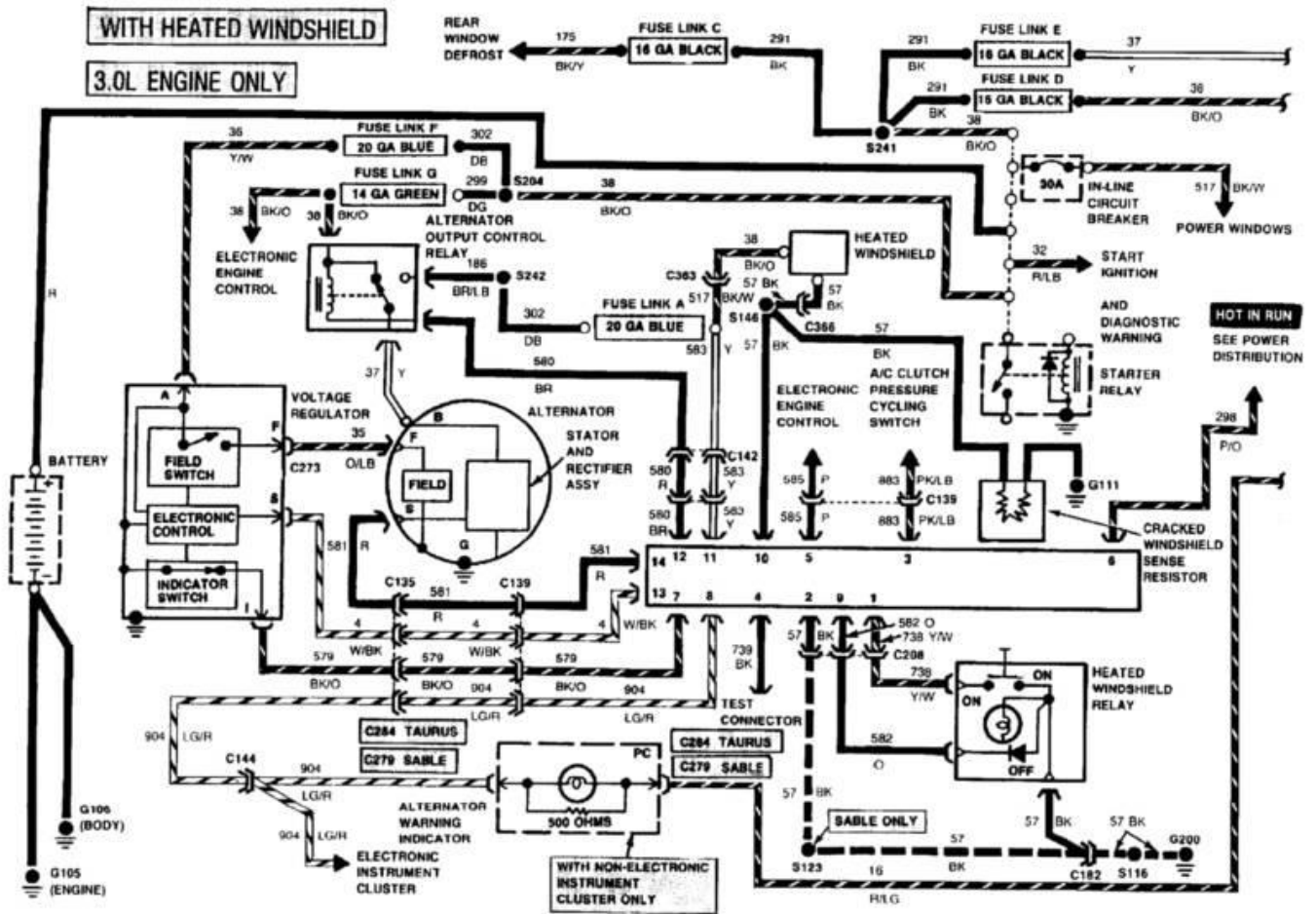


83585

**WIRING DIAGRAMS**  
**1986 Wiring Diagrams Ford Motor Co.**

PAVLIN

**Fig. 10: Heated Windshield Circuit**  
 1986 Ford Taurus LX



202122

**WIRING DIAGRAMS**  
**1986 Wiring Diagrams Ford Motor Co.**

PAVLIN

**Fig. 11: Power Mirror Circuit**  
 1986 Ford Taurus LX

